

Wallplates
Weatherproof

HUBBELL

EXTRA DUTY® While-In-Use Covers

Features

- Patented EZ Change Pin for Vertical Mount 2014 NEC
- Compliant EXTRA DUTY® Rated
- Fits Standard Devices and GFCI Openings
- 55 Configurations from 1 Catalog Number



Ordering Information

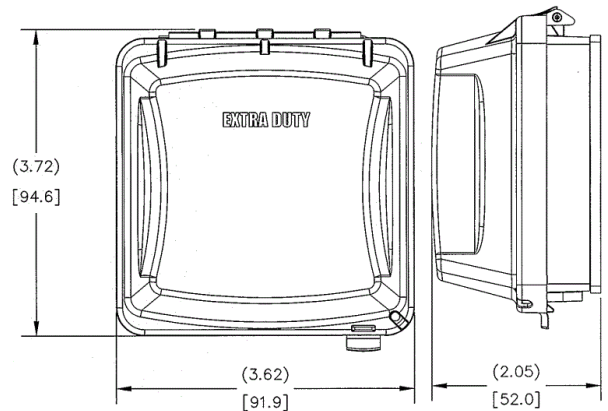
Description	Color	Catalog Number	UPC
While-In-Use Cover, 2-gang, vertical mount, standard cover depth	Clear	RW58750	883778305894

Listings

cULus Listed
2014 NEC Article 406.9
NEMA 3R Rating
Meets UL514D Requirements

Specifications

Cover and Base Material	High Impact Polycarbonate
Plate Type	2-Gang
Plate Openings	Configurable SKUs (55 in 1)
Mounting Screws	Zinc Coated Steel
Appearance	Smooth



Online Resources

Customer Use Drawing
eCatalog

Dimensions in Inches (mm)

Hubbell Wiring Device-Kellems • Hubbell Incorporated (Delaware) • 40 Waterview Drive • Shelton, CT 06484

Phone (800) 288-6000 • Fax (800) 255-1031 • Specifications subject to change without notice.

