

Floor Boxes

Hubbell SystemOne Metal and Non-Metallic

Concrete Floor Boxes

HUBBELL

Features

- Corrosion resistant for on-grade applications
- Supplied with concrete cover and closure plugs
- Convenient cubic inch capacity (cm³) markings on interior of box



Ordering Information

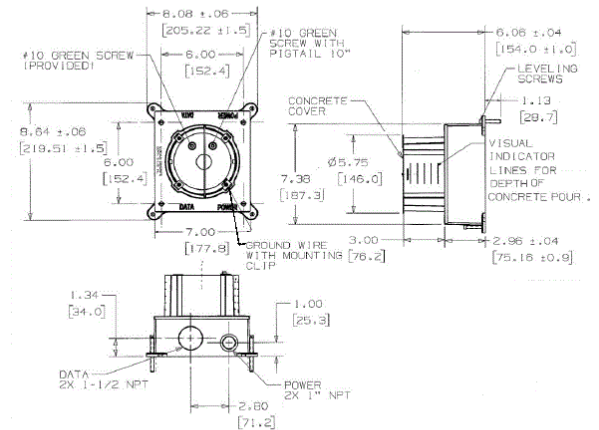
Description	Material	UPC	Catalog Number
Metallic, Floor Boxes	Cast Iron	783585371672	S1CFB

Listings

UL File Number E92074
CSA File Number LR18416

Specifications

Min. Depth of Pour	3.50" (88.9)
Cubic Inch	156.0 cu. in. (2556.4 cm ³)
Power Entries	1" NPT Access Holes



Online Resources

Customer Use Drawing
eCatalog
Installation Instructions

Dimensions in Inches (mm)

Hubbell Wiring Device-Kellems • Hubbell Incorporated (Delaware) • 40 Waterview Drive • Shelton, CT 06484

Phone (800) 288-6000 • Fax (800) 255-1031 • Specifications subject to change without notice.

