

Fire-Rated Poke-Throughs

SystemOne Flush

4-Inch Diameter Core Hole

Features

- One 3/4" EMT for Power, Two 3/4" EMT for Low Voltage
- S1CFCBRS, Brass Powder Coat Finish Cover Included
- S1SP4X4 sub-plate Included
- Junction Box Included

Ordering Information

- Fully Assembled Fitting, Cover and Sub-Plate

Catalog Number	UPC Number	Cover Series	Core Hole Diameter
S1PT4X4BRS3J	783585347158	S1CFC	4-Inch

Minimum Deck Thickness	Connection Type
2.25" Over Metal Deck	Flush

Standards

cULus Listed
UL scrub water compliant
ADA Compliant

Specifications

Cover load rating	300 lbs. static load through 3" diameter mandral
Access cover material	Die cast aluminum
Fire Rating	1 - 4 Hour Fire Rating

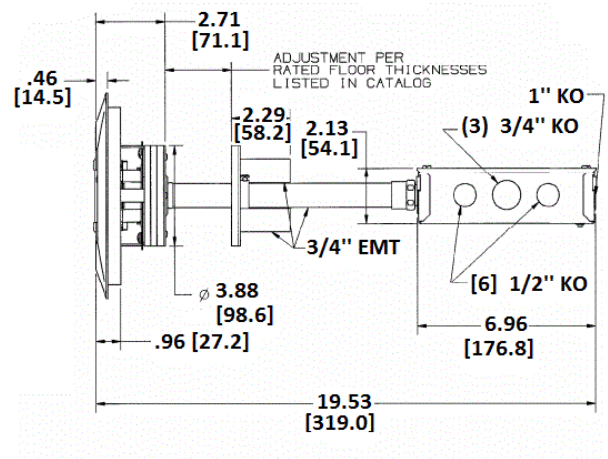
Accessories

4" Pre-Pour Tube, removed need for core hold drilling **S1R4PPT**

Online Resources

Customer Use Drawing
eCatalog
Installation Instructions

HUBBELL



Dimensions in Inches (mm)

Hubbell Wiring Device-Kellems • Hubbell Incorporated (Delaware) • 40 Waterview Drive • Shelton, CT 06484

Phone (800) 288-6000 • Fax (800) 255-1031 • Specifications subject to change without notice.

