

## Fire-Rated Poke-Throughs

### SystemOne Flush

## 4-Inch Diameter Core Hole

# HUBBELL

### Features

- One 3/4" EMT for Power, Two 3/4" EMT for Low Voltage
- S1CFBRS, Brass Powder Coat Finish Cover Included
- S1SP4X4 sub-plate Included

### Ordering Information

- Fully Assembled Fitting, Cover and Sub-Plate

Catalog Number	UPC Number	Cover Series	Core Hole Diameter
S1PT4X4BRS3	783585371634	S1CFC	4-Inch

Minimum Deck Thickness	Connection Type
2.25" Over Metal Deck	Flush

### Standards

cULus Listed  
UL scrub water compliant  
ADA Compliant

### Specifications

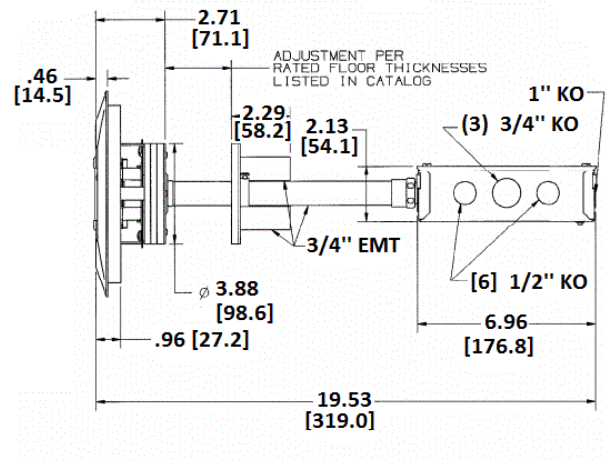
Cover load rating	300 lbs. static load through 3" diameter mandral
Access cover material	Die cast aluminum
Fire Rating	1 - 4 Hour Fire Rating

### Accessories

Junction Box - 27 Cubic Inch	S1FRPTJB
4" Pre-Pour Tube, removed need for core hold drilling	S1R4PPT

### Online Resources

eCatalog



Dimensions in Inches (mm)

Hubbell Wiring Device-Kellems • Hubbell Incorporated (Delaware) • 40 Waterview Drive • Shelton, CT 06484

Phone (800) 288-6000 • Fax (800) 255-1031 • Specifications subject to change without notice.

