

Fire-Rated Poke-Throughs

SystemOne Flush

4-Inch Diameter Core Hole

Features

- One 3/4" EMT for Power, Two 3/4" EMT for Low Voltage
- S1CFCBRS, Brass Powder Coat Finish Cover Included
- S1SP4X4 sub-plate Included
- Junction Box Included

Ordering Information

- Fully Assembled Fitting, Cover and Sub-Plate

Catalog Number S1PT4X4BRSJ	UPC Number 783585373058	Cover Series S1CFC	Core Hole Diameter 4-Inch
--------------------------------------	-----------------------------------	------------------------------	-------------------------------------

Minimum Deck Thickness 2.25" Over Metal Deck	Connection Type Flush
--	---------------------------------

Standards

cULus Listed
UL scrub water compliant
ADA Compliant

Specifications

Cover load rating	300 lbs. static load through 3" diameter mandral
Access cover material	Die cast aluminum
Fire Rating	1 - 4 Hour Fire Rating

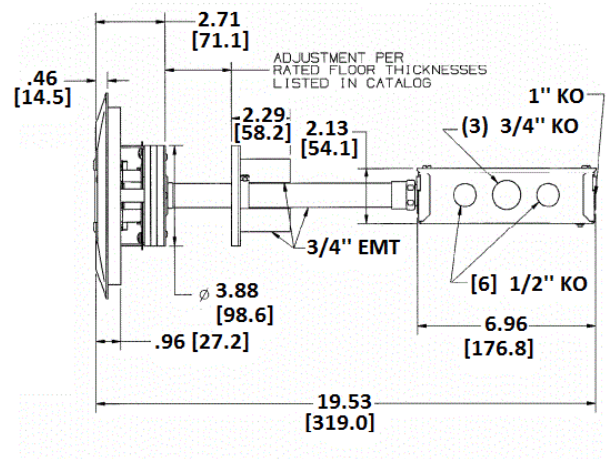
Accessories

4" Pre-Pour Tube, removed need for core hold drilling **S1R4PPT**

Online Resources

Customer Use Drawing
eCatalog
Installation Instructions

HUBBELL



Dimensions in Inches (mm)

Hubbell Wiring Device-Kellems • Hubbell Incorporated (Delaware) • 40 Waterview Drive • Shelton, CT 06484

Phone (800) 288-6000 • Fax (800) 255-1031 • Specifications subject to change without notice.

