

Floor Boxes

Hubbell SystemOne Flush Systems

4 Inch Core Through Floor Fittings

HUBBELL

Features

- Available with integral power junction box
- Delivers power, voice, data and multimedia
- Excellent solution for retrofit and new construction

Ordering Information

| Description | Device Color | UPC | Catalog Number |
|-------------------|--------------|--------------|----------------|
| 4X4 Through Floor | Aluminum | 783585371399 | S1PT4X4FIT |

Listings

UL E31999 Listed
UL R8429 Listed

Specifications

| | |
|----------------------|---|
| Mounting | 4 in. (101.6) cored concrete Dia. through hole |
| Min. floor thickness | 2 1/4 in. (57.2) |
| Cover and flange | Powder coat cast aluminum |
| Approval | Approved for use in the City of Chicago |

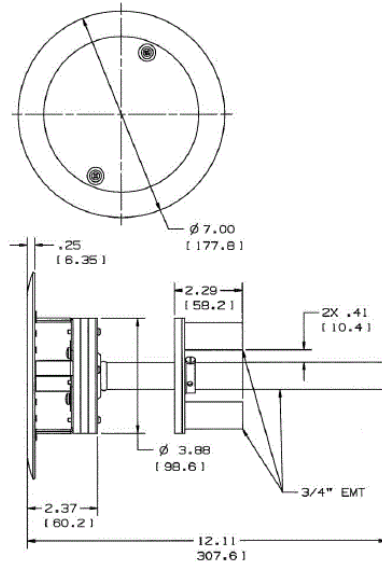
Performance

Electrical

Fire Resistance Rating 4-Hrs. (D900)

Mechanical

Max. Cu Cross Section 3/4 in. Power EMT .0307 sq. in.



Online Resources

Customer Use Drawing
eCatalog
Installation Instructions