

## Fire-Rated Poke-Throughs

### SystemOne Flush

### 4-Inch Diameter Core Hole

#### Features

- One 3/4" EMT for Power, Two 3/4" EMT for Low Voltage
- S1CFCGY, Grey Powder Coat Finish Cover Included
- S1SP4X4 sub-plate Included
- Junction Box Included

#### Ordering Information

- Fully Assembled Fitting, Cover and Sub-Plate

Catalog Number	UPC Number	Cover Series	Core Hole Diameter
S1PT4X4GYJ	783585373065	S1CFC	4-Inch

Minimum Deck Thickness	Connection Type
2.25" Over Metal Deck	Flush

#### Standards

cULus Listed  
UL scrub water compliant  
ADA Compliant

#### Specifications

Cover load rating	300 lbs. static load through 3" diameter mandral
Access cover material	Die cast aluminum
Fire Rating	1 - 4 Hour Fire Rating

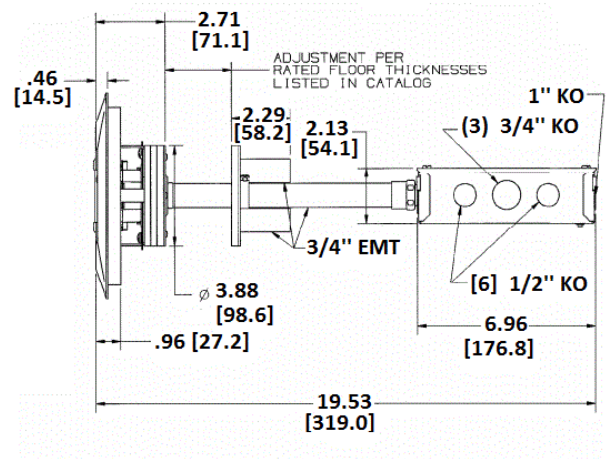
#### Accessories

4" Pre-Pour Tube, removed need for core hold drilling **S1R4PPT**

#### Online Resources

Customer Use Drawing  
eCatalog  
Installation Instructions

# HUBBELL



Dimensions in Inches (mm)

Hubbell Wiring Device-Kellems • Hubbell Incorporated (Delaware) • 40 Waterview Drive • Shelton, CT 06484

Phone (800) 288-6000 • Fax (800) 255-1031 • Specifications subject to change without notice.

