

Fire-Rated Poke-Throughs
SystemOne Flush
4-Inch Diameter Core Hole

HUBBELL

Features

- Two 1" EMT for Power and Low Voltage
- S1CFCAL, Aluminum Powder Coat Finish Cover Included
- S1SP sub-plate Included

Ordering Information

- Fully Assembled Fitting, Cover and Sub-Plate

Catalog Number S1PTAL	UPC Number 783585371498	Cover Series S1CFC	Core Hole Diameter 4-Inch
---------------------------------	-----------------------------------	------------------------------	-------------------------------------

Minimum Deck Thickness 2.25" Over Metal Deck	Connection Type Flush
--	---------------------------------

Standards

cULus Listed
 UL scrub water compliant
 ADA Compliant

Specifications

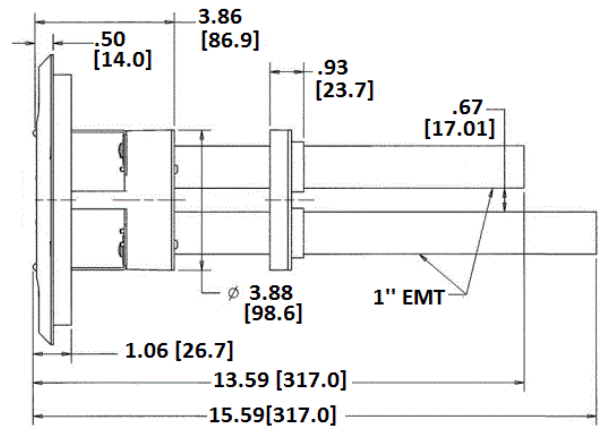
Cover load rating	300 lbs. static load through 3" diameter mandral
Access cover material	Die cast aluminum
Fire Rating	1 - 4 Hour Fire Rating

Accessories

Junction Box - 27 Cubic Inch	S1FRPTJB
4" Pre-Pour Tube, removed need for core hold drilling	S1R4PPT

Online Resources

Customer Use Drawing
 eCatalog
 Installation Instructions



Dimensions in Inches (mm)

Hubbell Wiring Device-Kellems • Hubbell Incorporated (Delaware) • 40 Waterview Drive • Shelton, CT 06484

Phone (800) 288-6000 • Fax (800) 255-1031 • Specifications subject to change without notice.

