

**Fire-Rated Poke-Throughs**  
**SystemOne Flush Furniture Feed**  
**4-Inch Diameter Core Hole**



**Features**

- One 3/4" EMT for Power, One 1-1/2" EMT for Low Voltage
- S1SPFFAL, Aluminum Powder Coat Finish Cover Included
- S1SPFFAL Furniture Feed Cover
- Junction Box Included

**Ordering Information**

- Fully Assembled Fitting, Cover and Sub-Plate

<b>Catalog Number</b> S1PTFFALJ	<b>UPC Number</b> 783585373157	<b>Cover Series</b> S1CFC	<b>Core Hole Diameter</b> 4-Inch
------------------------------------	-----------------------------------	------------------------------	-------------------------------------

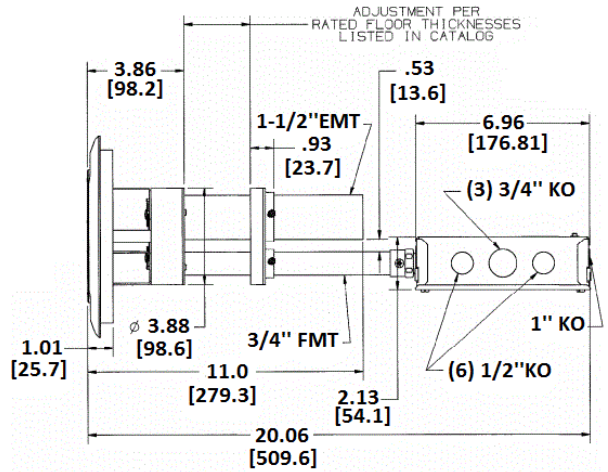
<b>Minimum Deck Thickness</b> 2.25" Over Metal Deck	<b>Connection Type</b> Flush
--	---------------------------------

**Standards**

cULus Listed  
 UL scrub water compliant  
 ADA Compliant

**Specifications**

Cover load rating	300 lbs. static load through 3" diameter mandral
Access cover material	Die cast aluminum
Fire Rating	1 - 4 Hour Fire Rating



**Accessories**

4" Pre-Pour Tube, removed need for core hold drilling **S1R4PPT**

**Online Resources**

Customer Use Drawing  
 eCatalog  
 Installation Instructions

Dimensions in Inches (mm)

Hubbell Wiring Device-Kellems • Hubbell Incorporated (Delaware) • 40 Waterview Drive • Shelton, CT 06484

Phone (800) 288-6000 • Fax (800) 255-1031 • Specifications subject to change without notice.

