

Fire-Rated Poke-Throughs
SystemOne Flush Furniture Feed
4-Inch Diameter Core Hole



Features

- One 3/4" EMT for Power, One 1-1/2" EMT for Low Voltage
- S1SPFFBL, Black Powder Coat Finish Cover Included
- S1SPFFBL Furniture Feed Cover
- Junction Box Included

Ordering Information

- Fully Assembled Fitting, Cover and Sub-Plate

Catalog Number S1PTFFBLJ	UPC Number 783585373164	Cover Series S1CFC	Core Hole Diameter 4-Inch
------------------------------------	-----------------------------------	------------------------------	-------------------------------------

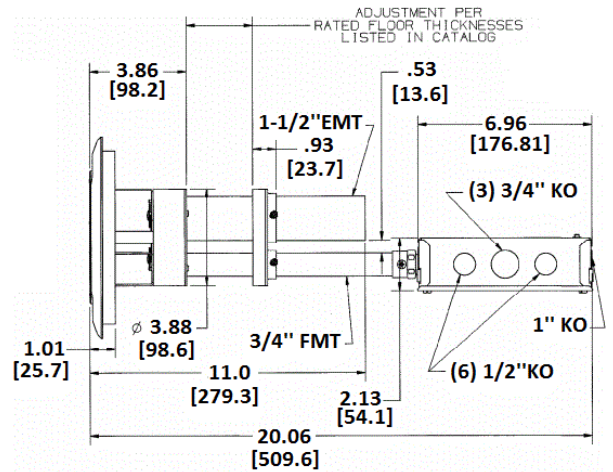
Minimum Deck Thickness 2.25" Over Metal Deck	Connection Type Flush
--	---------------------------------

Standards

cULus Listed
 UL scrub water compliant
 ADA Compliant

Specifications

Cover load rating	300 lbs. static load through 3" diameter mandral
Access cover material	Die cast aluminum
Fire Rating	1 - 4 Hour Fire Rating



Accessories

4" Pre-Pour Tube, removed need for core hold drilling **S1R4PPT**

Online Resources

Customer Use Drawing
 eCatalog
 Installation Instructions

Dimensions in Inches (mm)

Hubbell Wiring Device-Kellems • Hubbell Incorporated (Delaware) • 40 Waterview Drive • Shelton, CT 06484

Phone (800) 288-6000 • Fax (800) 255-1031 • Specifications subject to change without notice.

