

Fire-Rated Poke-Throughs

Hubbell SystemOne Flush Systems

4 Inch Core Through Floor Fittings

HUBBELL

Features

- Available with integral power junction box
- Delivers power, voice, data and multimedia
- Excellent solution for retrofit and new construction

Ordering Information

Description	Device Color	UPC	Catalog Number
Dual Channel Through	Aluminum	783585373010	S1PTFITJ

Listings

ULC CEYYC Listed
ULC R8429 Listed

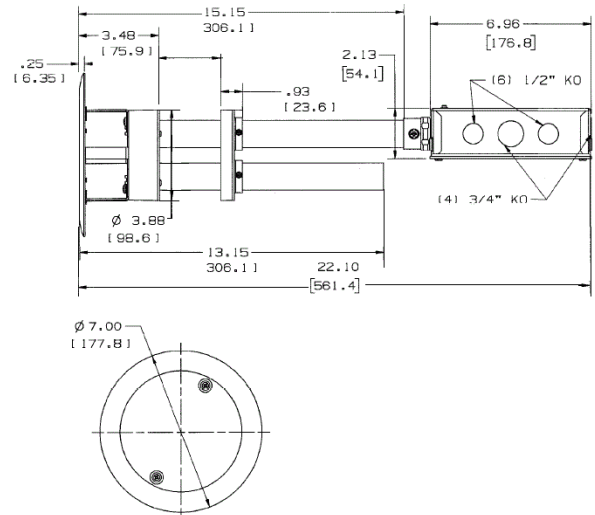
Specifications

Mounting	4 in. (101.6) cored concrete Dia. through hole
Min. floor thickness	2 1/4 in. (57.2)
Cover and flange	Powder coat cast aluminum
Approval	Approved for use in the City of Chicago

Performance

Electrical
Fire Resistance Rating 4-Hrs. (D900)

Mechanical
Max. Copper Cross Section 1 in. Power EMT .0307 sq. in.



Online Resources

Customer Use Drawing
eCatalog
Installation Instructions

Dimensions in Inches (mm)

Hubbell Wiring Device-Kellems • Hubbell Incorporated (Delaware) • 40 Waterview Drive • Shelton, CT 06484

Phone (800) 288-6000 • Fax (800) 255-1031 • Specifications subject to change without notice.

