

## Fire-Rated Poke-Throughs

### SystemOne Flush

### 4-Inch Diameter Core Hole

# HUBBELL

#### Features

- Two 1" EMT for Power and Low Voltage
- S1SPFFGY, Grey Powder Coat Finish Cover Included
- S1SP sub-plate Included
- Junction Box Included

#### Ordering Information

- Fully Assembled Fitting, Cover and Sub-Plate

| Catalog Number | UPC Number   | Cover Series | Core Hole Diameter |
|----------------|--------------|--------------|--------------------|
| S1PTGYJ        | 783585373102 | S1CFC        | 4-Inch             |

| Minimum Deck Thickness | Connection Type |
|------------------------|-----------------|
| 2.25" Over Metal Deck  | Flush           |

#### Standards

cULus Listed  
UL scrub water compliant  
ADA Compliant

#### Specifications

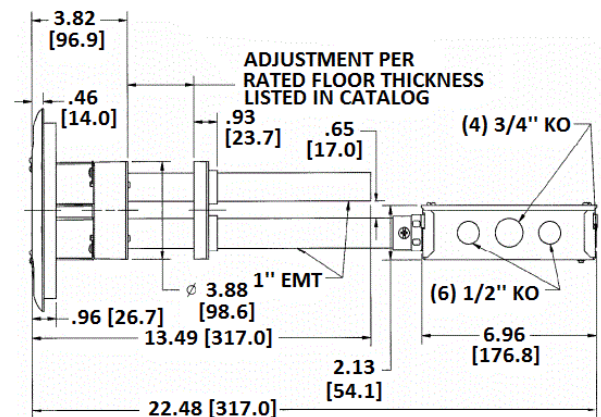
|                       |  |
|-----------------------|--|
| Cover load rating     | 300 lbs. static load through 3" diameter mandral |
| Access cover material | Die cast aluminum                                |
| Fire Rating           | 1 - 4 Hour Fire Rating                           |

#### Accessories

4" Pre-Pour Tube, removed need for core hold drilling **S1R4PPT**

#### Online Resources

Customer Use Drawing  
eCatalog  
Installation Instructions



Dimensions in Inches (mm)

Hubbell Wiring Device-Kellems • Hubbell Incorporated (Delaware) • 40 Waterview Drive • Shelton, CT 06484

Phone (800) 288-6000 • Fax (800) 255-1031 • Specifications subject to change without notice.

