

Fire-Rated Poke-Throughs
10" SystemOne Series
Center Bottom Feed Plate

HUBBELL

Features

- Bottom Feed Plates are Required to Maintain S1R10PTFIT Fitting Fire Rating
- Variety of Feed Plates Offers Installation Flexibility
- Includes Necessary Mounting Hardware

Ordering Information

Description	UPC Number	Catalog Number
SystemOne, 10" Series, Bottom Feed Plate, Center, One Gang, 1/2" EMT	783585548012	S1R10CBF050



Listings

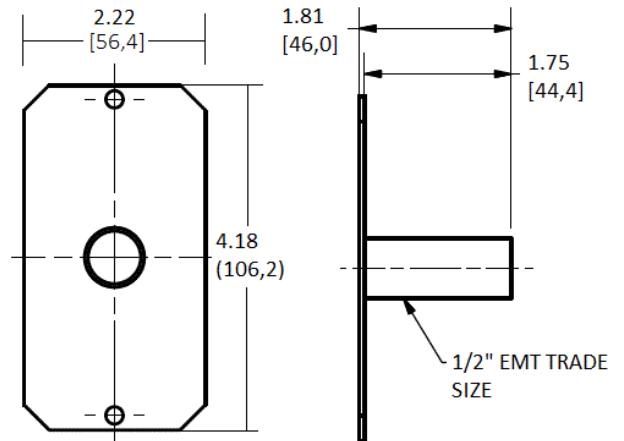
cULus Listed

Specifications

Material	Pre-Galvanized Steel
Finish	Natural

Performance

Application Type	1/2" EMT
Bottom Fitting Position	Center



Complementary Products

Fire-Rated Poke-Through	S1R10PTFIT
-------------------------	------------

Online Resources

- Customer Use Drawing
- eCatalog
- Installation Instructions

Dimensions in Inches (mm)

Hubbell Wiring Device-Kellems • Hubbell Incorporated (Delaware) • 40 Waterview Drive • Shelton, CT 06484

Phone (800) 288-6000 • Fax (800) 255-1031 • Specifications subject to change without notice.

