

**Fire-Rated Poke-Throughs**  
**10" SystemOne Series**  
**Center Bottom Feed Plate**

# HUBBELL

### Features

- Bottom Feed Plates are Required to Maintain S1R10PTFIT Fitting Fire Rating
- Variety of Feed Plates Offers Installation Flexibility
- Includes Necessary Mounting Hardware

### Ordering Information

<b>Description</b> SystemOne, 10" Series, Bottom Feed Plate, Center, One Gang, 1" EMT	<b>UPC Number</b> 783585548036	<b>Catalog Number</b> S1R10CBF100
--	-----------------------------------	--------------------------------------



### Listings

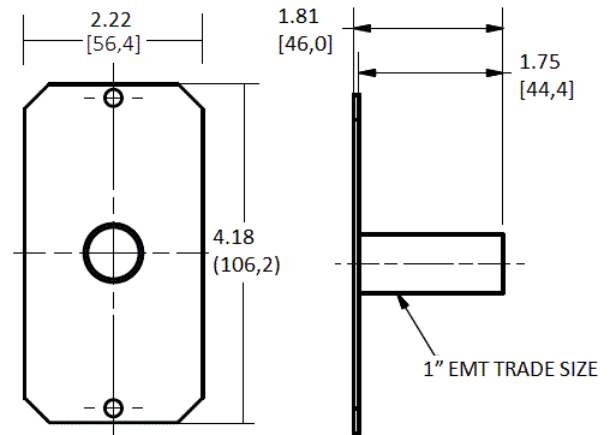
cULus Listed

### Specifications

Material	Pre-Galvanized Steel
Finish	Natural

### Performance

Application Type	1" EMT
Bottom Fitting Position	Center



### Complementary Products

Fire-Rated Poke-Through	S1R10PTFIT
-------------------------	------------

### Online Resources

Customer Use Drawing  
eCatalog  
Installation Instructions

Dimensions in Inches (mm)

Hubbell Wiring Device-Kellems • Hubbell Incorporated (Delaware) • 40 Waterview Drive • Shelton, CT 06484

Phone (800) 288-6000 • Fax (800) 255-1031 • Specifications subject to change without notice.

