

Fire-Rated Poke-Throughs

10" SystemOne Series

Tamper Resistant Recessed Cover

HUBBELL

Features

- 180 Degree Cover Opening to Lay Flat and Reduce Tripping Hazards
- Tamper Resistant Cover limits unauthorized access
- Die Cast Aluminum Cover Construction for Enhanced Durability
- ADA Compliant

Ordering Information

- Compatible with S1R10PTFIT

Description
SystemOne, 10" Series,
Tamper Resistant Cover
Assembly, Satin Nickel

UPC Number 783585547510
Catalog Number S1R10CVRTRNKL

Listings

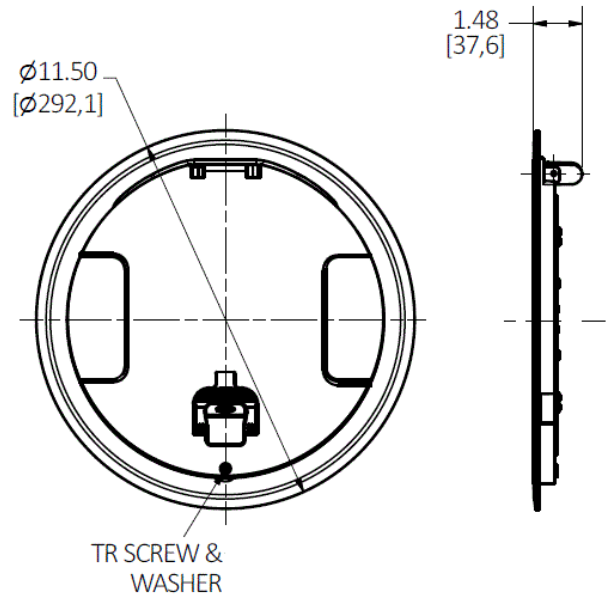
cULus Listed as Fittings and Outlet Boxes, also Classified for Fire Resistance
ULC Listed as Fittings and Outlet Boxes for Service Penetration
UL Scrub Water Compliant
ADA Compliant

Specifications

Cover Material	Cast Aluminum
Cover Finish	Satin Nickel Plated
Tamper Resistant Screw	Stainless Steel

Performance

Cover Connection Type	Recessed
Cover Load Rating	1,000 lbs Static Load Through 3" Diameter Mandrel



Complementary Products

Fire-Rated Poke-Through	S1R10PTFIT
Egress Door Brushes	S1R10CVRBRUSH

Online Resources

Customer Use Drawing
eCatalog
Installation Instructions

Dimensions in Inches (mm)

Hubbell Wiring Device-Kellems • Hubbell Incorporated (Delaware) • 40 Waterview Drive • Shelton, CT 06484

Phone (800) 288-6000 • Fax (800) 255-1031 • Specifications subject to change without notice.

