

Fire-Rated Poke-Throughs
10" SystemOne Series
Perimeter Bottom Feed Plate

HUBBELL

Features

- Bottom Feed Plates are Required to Maintain S1R10PTFIT Fitting Fire Rating
- Variety of Feed Plates Offers Installation Flexibility
- Includes Necessary Mounting Hardware

Ordering Information

Description	UPC Number	Catalog Number
SystemOne, 10" Series, Bottom Feed Plate, Perimeter, 1-1/4" EMT	783585547985	S1R10PBF125

Listings

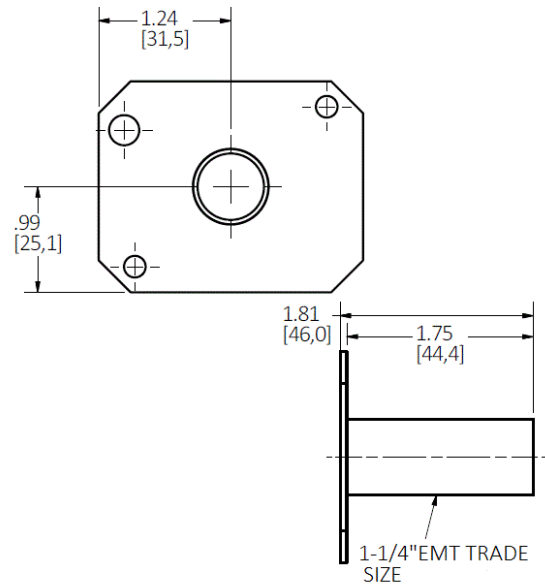
cULus Listed

Specifications

Material	Pre-Galvanized Steel
Finish	Natural

Performance

Application Type	1-1/4" EMT
Bottom Fitting Position	Perimeter



Complementary Products

Fire-Rated Poke-Through	S1R10PTFIT
-------------------------	------------

Online Resources

Customer Use Drawing
eCatalog
Installation Instructions

Dimensions in Inches (mm)

Hubbell Wiring Device-Kellems • Hubbell Incorporated (Delaware) • 40 Waterview Drive • Shelton, CT 06484

Phone (800) 288-6000 • Fax (800) 255-1031 • Specifications subject to change without notice.

