

4" SystemOne Series

Furniture Feed

Fire-Rated Poke-Throughs

Features

- One 3/4" EMT for Power, One 1-1/2" EMT for Data
- 1-4 Hour Fire Rated D900 Series Floors
- 2.25" (57.2) Minimum Floor Thickness
- S1FRPT Junction Box Purchased Separately
- Step Down Installation

Ordering Information

Description	Style	UPC Number	Catalog Number
Furniture Feed FRPT	Flush	783585546452	S1R4PTAVFIT

Listings

cULus & ULC Listed

Specifications

Fitting Materials	Pre-Galvanized Steel & Intumescent
Power Maximum Copper Cross Section	0.72 sq. in.
Data Maximum Copper Cross Section	0.100 sq. in.

Performance

Drilled or Formed Concrete Hole Size	4"
Fire Rating	1-4 Hour Fire Rated D900 Series Floors
Floor Thickness	2.25" (57.2) Minimum

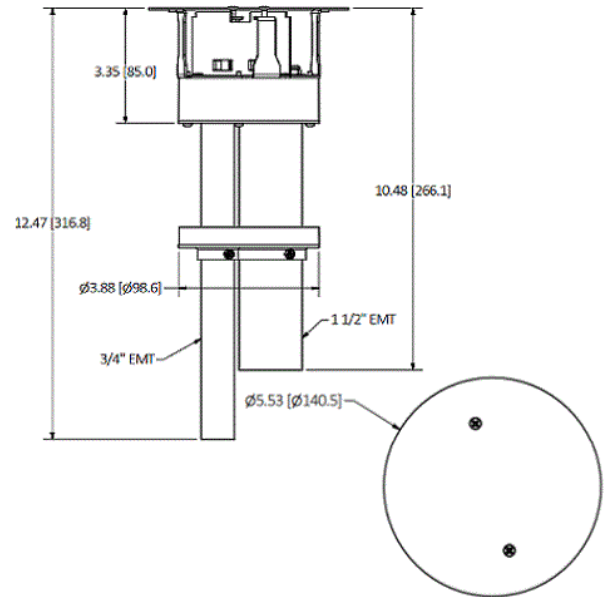
Complementary Products

Pre-Pour Tube	S1R4PPT
Furniture Feed Covers	S1R4FFCVRALU, S1R4FFCVRBLK, S1R4FFCVRBRS, S1R4FFCVRBRZ, S1R4FFCVRGRY, S1R4FFCVRNKL
Junction Box	S1FRPTJB

Online Resources

Customer Use Drawing
eCatalog
Installation Instructions

HUBBELL



Dimensions in Inches (mm)

Hubbell Wiring Device-Kellems • Hubbell Incorporated (Delaware) • 40 Waterview Drive • Shelton, CT 06484

Phone (800) 288-6000 • Fax (800) 255-1031 • Specifications subject to change without notice.

