

Fire-Rated Poke-Throughs

SystemOne Recessed

4-Inch Diameter Core Hole

HUBBELL

Features

- One 3/4" EMT for Power, Two 1/2" EMT for Low Voltage
- S1R4CVRBLK, Black Powder Coat Cover Included
- Sub-plate Ordered Separately
- Junction Box Included

Ordering Information

- Fire-Rated Poke-Through Fitting and Cover, Requires Assembly

Catalog Number S1R4PTBLK	UPC Number 783585446110	Cover Series S1R4CVR	Core Hole Diameter 4-Inch
------------------------------------	-----------------------------------	--------------------------------	-------------------------------------

Minimum Deck Thickness 2.25" Over Metal Deck	Connection Type Recessed
--	------------------------------------

Standards

cULus & ULC Listed
UL scrub water compliant
ADA Compliant

Specifications

Cover load rating	1000 lbs. static load through 3" diameter mandral
Access cover material	Die cast aluminum
Fire Rating	1 - 2 Hour Fire Rating

Required

Covers and Sub-Plates

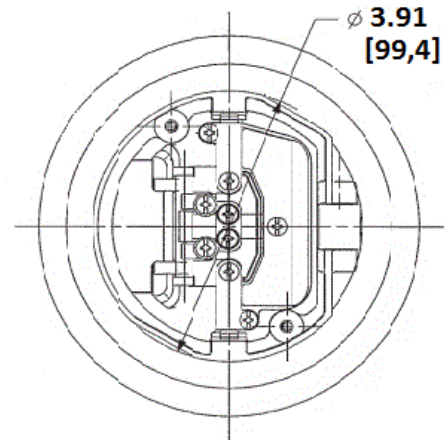
[Click here](#)

Accessories

20A USB receptacle with 2 USB charging ports	USB20X2W
20A Self-Test GFCI Receptacle	GFRST20W
20A Decorator Receptacle	DR20WHI
4" Pre-Pour Tube, removed need for core hold drilling	S1R4PPT

Online Resources

Customer Use Drawing
eCatalog
Installation Instructions



Dimensions in Inches (mm)

Hubbell Wiring Device-Kellems • Hubbell Incorporated (Delaware) • 40 Waterview Drive • Shelton, CT 06484

Phone (800) 288-6000 • Fax (800) 255-1031 • Specifications subject to change without notice.

