

4" SystemOne Series

Furniture Feed

Fire-Rated Poke-Throughs

Features

- FRPT; One 3/4" EMT for Power, One 1-1/2" EMT for Data
- Cover; One 3/4" Threaded Hub for Power, One 1-1/2" Threaded Hub for Data
- 1-4 Hour Fire Rated D900 Series Floors
- 2.25" (57.2) Minimum Floor Thickness
- UL 514A listed and meet UL Scrubwater requirements

Ordering Information

| Description | Style | UPC Number | Catalog Number |
|----------------------------|------------------------------|--------------|----------------|
| Furniture Feed FRPT Kit | Flush | 783585546438 | S1R4PTFFBLKJ |
| Cover/Flange Finish | Cover/Flange Diameter | | |
| Black | 5.50 Inches | | |

Listings

cULus & ULC Listed
UL scrub water compliant
UL 514A Listed
ADA Compliant

Specifications

| | |
|------------------------------|---|
| Cover Material | Die Cast Aluminum |
| Finish | Black Powder Coat Paint |
| Cover/Flange | Height- 0.15" (3.8), Diameter- 5.50" |
| Cover Threaded Hubs | Power- 3/4", Data- 1-1/2" |
| Maximum Copper Cross Section | Power- 0.72 sq in., Data- 0.100 sq. in. |

Performance

| | |
|--------------------------------------|---|
| Cover Connection Type | Flush |
| Cover Load Rating | 1000 lbs. static load through 3" diameter mandrel (w/ 2x safety factor) |
| Drilled or Formed Concrete Hole Size | 4" |
| Fire Rating | 1-4 Hour Fire Rated D900 Series Floors |
| Floor Thickness | 2.25" (57.2) Minimum |
| Junction Box | 27 cu. in. |

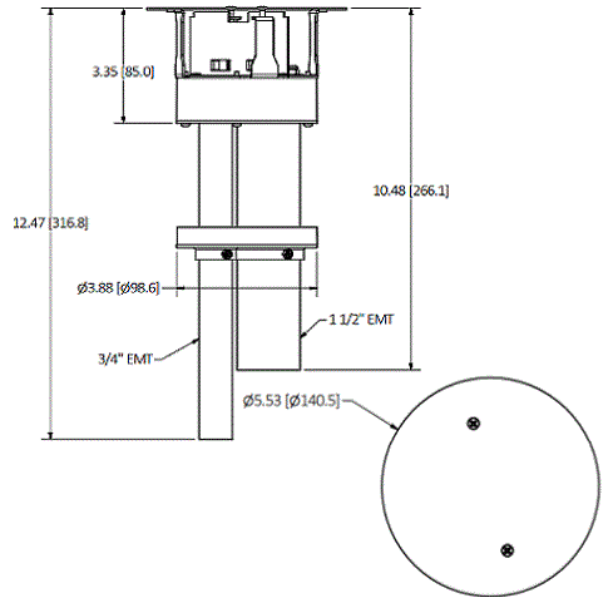
Complementary Products

| | |
|-------------------------------------|-----------|
| Pre-Pour Tube | S1R4PPT |
| Junction Box | S1FRPTJB |
| 3/4" PolyTuff® I Conduit | G1075 |
| 3/4" SwivelLok® Liquidtight Fitting | PS0759NGY |
| 1-1/2" PolyTuff® I Conduit | G1150 |
| 90° Conduit Fitting | H15091 |

Online Resources

Customer Use Drawing
eCatalog
Installation Instructions

HUBBELL



Dimensions in Inches (mm)

Hubbell Wiring Device-Kellems • Hubbell Incorporated (Delaware) • 40 Waterview Drive • Shelton, CT 06484

Phone (800) 288-6000 • Fax (800) 255-1031 • Specifications subject to change without notice.

