

4" SystemOne Series

Furniture Feed

Fire-Rated Poke-Throughs

Features

- FRPT; One 3/4" EMT for Power, One 1-1/2" EMT for Data
- Cover; One 3/4" Threaded Hub for Power, One 1-1/2" Threaded Hub for Data
- 1-4 Hour Fire Rated D900 Series Floors
- 2.25" (57.2) Minimum Floor Thickness
- UL 514A listed and meet UL Scrubwater requirements

Ordering Information

Description	Style	UPC Number	Catalog Number
Furniture Feed FRPT Kit	Flush	783585546360	S1R4PTFFNKL

Cover/Flange Finish	Cover/Flange Diameter
Nickel Plated	5.50 Inches

Listings

cULus & ULC Listed
UL scrub water compliant
UL 514A Listed
ADA Compliant

Specifications

Cover Material	Die Cast Aluminum
Finish	Nickel Plated
Cover/Flange	Height- 0.15" (3.8), Diameter- 5.50"
Cover Threaded Hubs	Power- 3/4", Data- 1-1/2"
Maximum Copper Cross Section	Power- 0.72 sq in., Data- 0.100 sq. in.

Performance

Cover Connection Type	Flush
Cover Load Rating	1000 lbs. static load through 3" diameter mandrel (w/ 2x safety factor)
Drilled or Formed Concrete Hole Size	4"
Fire Rating	1-4 Hour Fire Rated D900 Series Floors
Floor Thickness	2.25" (57.2) Minimum

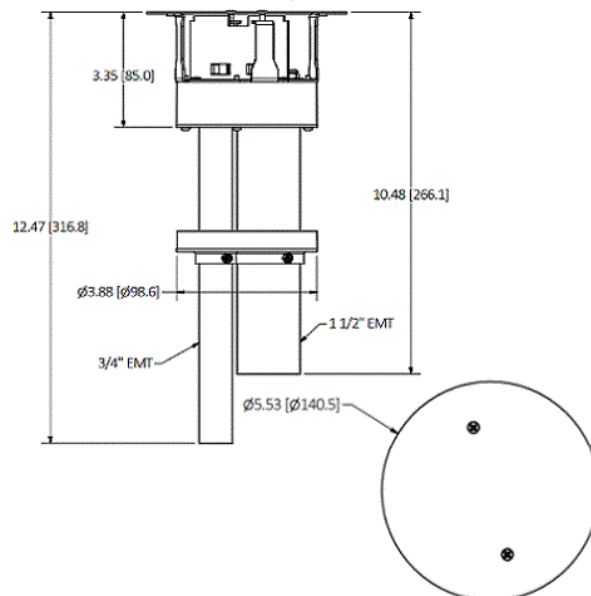
Complementary Products

Pre-Pour Tube	S1R4PPT
3/4" PolyTuff® I Conduit	G1075
3/4" SwivelLok® Liquidtight Fitting	PS0759NGY
1-1/2" PolyTuff® I Conduit	G1150
90° Conduit Fitting	H15091

Online Resources

Customer Use Drawing
eCatalog
Installation Instructions

HUBBELL



Dimensions in Inches (mm)

Hubbell Wiring Device-Kellems • Hubbell Incorporated (Delaware) • 40 Waterview Drive • Shelton, CT 06484

Phone (800) 288-6000 • Fax (800) 255-1031 • Specifications subject to change without notice.

