

Fire-Rated Poke-Throughs

SystemOne Recessed

4-Inch Diameter Core Hole



Features

- One 3/4" EMT for Power, Two 1/2" EMT for Low Voltage
- Cover Orderd Separately
- Sub-plate Ordered Separately

Ordering Information

- Fire-Rated Poke-Through Fitting Only.
- Requires Cover and Sub-Plate for Complete Installation

Catalog Number	UPC Number	Cover Series	Core Hole Diameter
S1R4PTFITCHI	783585445960	S1R4CVR	4-Inch

Minimum Deck Thickness	Connection Type
2.25" Over Metal Deck	Recessed

Standards

cULus & ULC Listed
 UL scrub water compliant
 ADA Compliant

Specifications

Cover load rating	1000 lbs. static load through 3" diameter mandral
Access cover material (ordered separately)	Die cast aluminum
Fire Rating	1 - 2 Hour Fire Rating

Required

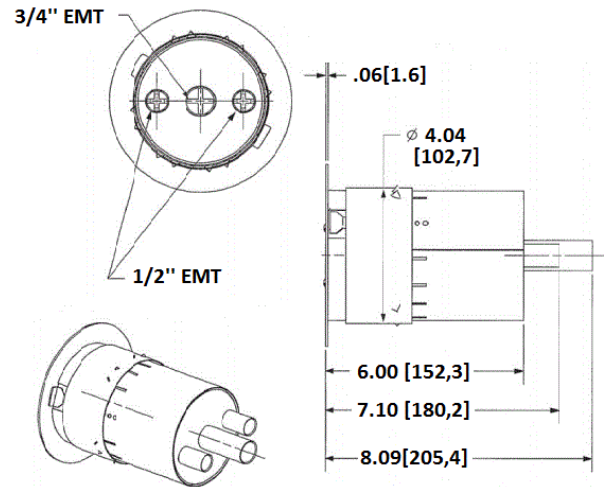
Covers and Sub-Plates [Click here](#)

Accessories

20A USB receptacle with 2 USB charging ports	USB20X2W
20A Self-Test GFCI Receptacle	GFRST20W
20A Decorator Receptacle	DR20WHI
4" Pre-Pour Tube, removed need for core hold drilling	S1R4PPT

Online Resources

Customer Use Drawing
 eCatalog
 Installation Instructions



Dimensions in Inches (mm)

Hubbell Wiring Device-Kellems • Hubbell Incorporated (Delaware) • 40 Waterview Drive • Shelton, CT 06484

Phone (800) 288-6000 • Fax (800) 255-1031 • Specifications subject to change without notice.

