

Fire-Rated Poke-Throughs
SystemOne Recessed
4-Inch Diameter Core Hole



Features

- One 3/4" EMT for Power, Two 1/2" EMT for Low Voltage - not used
- S1R4CVRBRZ, Plated Antique Bronze Finish Cover Included
- S1R4SPQUAD sub-plate Included
- Junction Box Included

Ordering Information

- Fire-Rated Poke-Through with Installed Quadplex
- Cover Included and Installed Onsite

| Catalog Number | UPC Number | Cover Series | Core Hole Diameter |
|----------------|--------------|--------------|--------------------|
| S1R4PTQUADBRZ | 783585446219 | S1R4CVR | 4-Inch |

| Minimum Deck Thickness | Connection Type |
|------------------------|-----------------|
| 2.25" Over Metal Deck | Recessed |

Standards

cULus & ULC Listed
 UL scrub water compliant
 ADA Compliant

Specifications

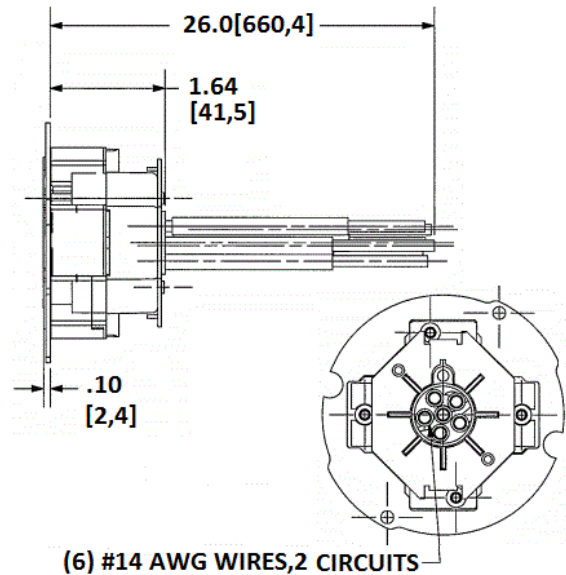
| | |
|-----------------------|---|
| Cover load rating | 1000 lbs. static load through 3" diameter mandral |
| Access cover material | Die cast aluminum |
| Fire Rating | 1 - 2 Hour Fire Rating |

Accessories

4" Pre-Pour Tube, removed need for core hold drilling **S1R4PPT**

Online Resources

Customer Use Drawing
 eCatalog
 Installation Instructions



Dimensions in Inches (mm)

Hubbell Wiring Device-Kellems • Hubbell Incorporated (Delaware) • 40 Waterview Drive • Shelton, CT 06484

Phone (800) 288-6000 • Fax (800) 255-1031 • Specifications subject to change without notice.

