

**Fire-Rated Poke-Throughs**  
**SystemOne Recessed**  
**6-Inch Diameter Core Hole**

# HUBBELL

### Features

- Abandonment Plate for S1R6PTFIT
- Maintains 6" FRPT 2 Hour Fire Rating
- UL Scrub Water Compliant

### Ordering Information

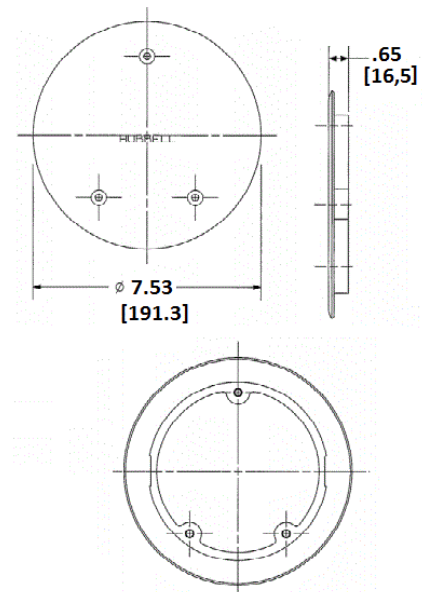
<b>Cover Series</b> S1R6	<b>Core Hole Diameter</b> 6-Inch	<b>UPC</b> 783585444420	<b>Catalog Number</b> S1R6ADMTBK
-----------------------------	-------------------------------------	----------------------------	-------------------------------------

### Listings

cULus & ULC Listed  
UL scrub water compliant  
ADA Compliant

### Specifications

Cover load rating	300lbs
Cover material	Aluminum
Cover finish	Black powder paint
Fire Rating	1 - 2 Hour Fire Rating



### Online Resources

[Customer Sales Drawings](#)  
[eCatalog](#)  
[Installation Instructions](#)

Dimensions in Inches (mm)

Hubbell Wiring Device-Kellems • Hubbell Incorporated (Delaware) • 40 Waterview Drive • Shelton, CT 06484

Phone (800) 288-6000 • Fax (800) 255-1031 • Specifications subject to change without notice.

