

**Fire-Rated Poke-Throughs**  
**SystemOne Recessed**  
**6-Inch Diameter Core Hole**

# HUBBELL

## Features

- 180 degree cover opening to lay flat and reduce tripping hazards
- Two hide-away egress cable doors
- Die cast aluminum cover construction for enhanced durability
- UL Scrub Water Compliant
- ADA Compliant

## Ordering Information

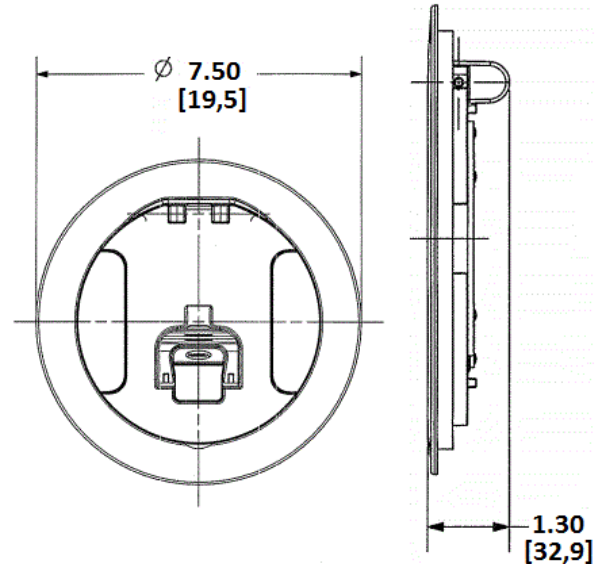
|                               |                           |                                   |                                     |
|-------------------------------|---------------------------|-----------------------------------|-------------------------------------|
| <b>Style</b><br>Surface Cover | <b>Finish</b><br>Aluminum | <b>UPC Number</b><br>783585443478 | <b>Catalog Number</b><br>S1R6CVRALU |
|-------------------------------|---------------------------|-----------------------------------|-------------------------------------|

## Listings

cULus Listed  
UL scrub water compliant  
UL 514A Listed

## Specifications

|                |   |
|----------------|---|
| Cover Material | Die Cast Aluminum   |
| Flange height  | 0.13 in.  |
| Load Rating    | 1000 lbs. static load through 3" diameter mandrel (w/ 2x safety factor) |
| Cover finish   | Brushed aluminum  |



## Related Products

Compatible with S1R6PTFIT

## Online Resources

Customer Sales Drawings  
eCatalog  
Installation Instructions

Dimensions in Inches (mm)

Hubbell Wiring Device-Kellems • Hubbell Incorporated (Delaware) • 40 Waterview Drive • Shelton, CT 06484

Phone (800) 288-6000 • Fax (800) 255-1031 • Specifications subject to change without notice.

