

**Fire-Rated Poke-Throughs**  
**Furniture Feed**  
**6-Inch Diameter Core Hole**

# HUBBELL

## Features

- One 2-inch and one 3/4-inch NPT threaded hubs
- Die cast aluminum cover construction for enhanced durability
- UL Scrub Water Compliant
- ADA Compliant

## Ordering Information

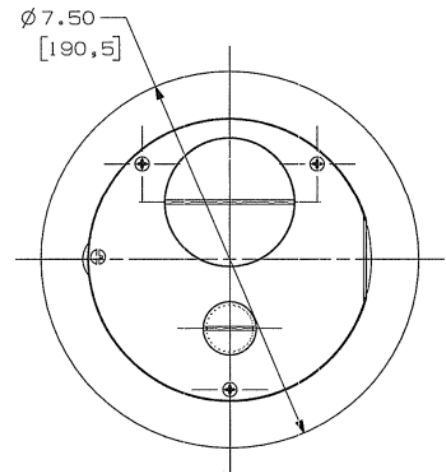
Style	Finish	UPC Number	Catalog Number
Surface Cover	Aluminum	783585443522	S1R6FFCVRALU

## Listings

cULus Listed  
UL scrub water compliant  
UL 514A Listed

## Specifications

Cover Material	Die Cast Aluminum
Flange height	0.13 in.
Load Rating	1000 lbs. static load through 3" diameter mandrel (w/ 2x safety factor)
Cover finish	Brushed aluminum



## Related Products

Compatible with S1R6PTFIT  
Divider Kit Ships with Cover to Maintain  
Separation between Line and Low  
Voltage Wiring

## Online Resources

Customer Sales Drawings  
eCatalog  
Installation Instructions

Dimensions in Inches (mm)

Hubbell Wiring Device-Kellems • Hubbell Incorporated (Delaware) • 40 Waterview Drive • Shelton, CT 06484

Phone (800) 288-6000 • Fax (800) 255-1031 • Specifications subject to change without notice.

