

Fire-Rated Poke-Throughs
SystemOne Recessed
6-Inch Diameter Core Hole

HUBBELL

Features

- One 3/4" EMT for Power, One 2" EMT for Low Voltage
- S1R6CVRBRZ, Plated Antique Bronze Finish Cover Included
- S1R6SPA, S1R6SPC, S1R6SPE, S1R6SPH, Sub-Plates Included
- Junction Box Included

Ordering Information

- Fire-Rated Poke-Through Fitting, Sub-Plates and Cover
- Cover and Sub-Plates Installed Onsite

| Catalog Number | UPC Number | Cover Series | Core Hole Diameter |
|----------------|--------------|--------------|--------------------|
| S1R6PTACEHBRZ | 783585443386 | S1R6CVR | 6-Inch |

| Minimum Deck Thickness | Connection Type |
|------------------------|-----------------|
| 2.25" Over Metal Deck | Recessed |

Standards

cULus & ULC Listed
 UL scrub water compliant
 ADA Compliant

Specifications

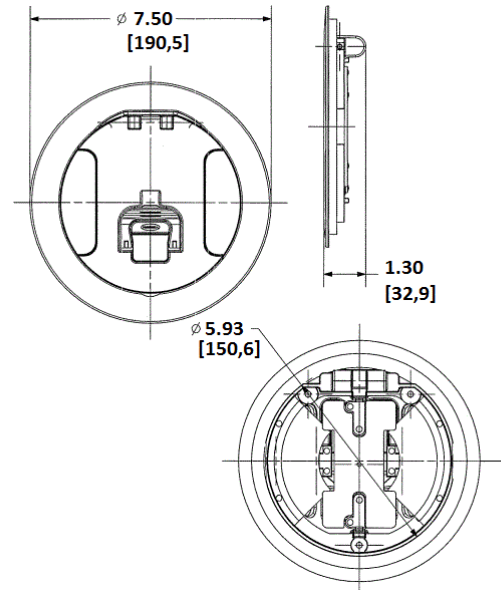
| | |
|-----------------------|---|
| Cover load rating | 1000 lbs. static load through 3" diameter mandral |
| Access cover material | Die cast aluminum |
| Fire Rating | 1 - 2 Hour Fire Rating |

Accessories

6" Pre-Pour Tube, removed need for core hold drilling **S1R6PPT**

Online Resources

Customer Use Drawing
 eCatalog
 Installation Instructions



Dimensions in Inches (mm)

Hubbell Wiring Device-Kellems • Hubbell Incorporated (Delaware) • 40 Waterview Drive • Shelton, CT 06484

Phone (800) 288-6000 • Fax (800) 255-1031 • Specifications subject to change without notice.

