

**Fire-Rated Poke-Throughs**  
**SystemOne Recessed**  
**6-Inch Diameter Core Hole**



**Features**

- One 3/4" EMT for Power, One 2" EMT for Low Voltage
- S1R6CVRNKL, Satin Nickel Plated Cover Included
- S1R6SPA, S1R6SPC, S1R6SPE, S1R6SPH, Sub-Plates Included
- Junction Box Included

**Ordering Information**

- Fire-Rated Poke-Through Fitting, Sub-Plates and Cover
- Cover and Sub-Plates Installed Onsite

Catalog Number	UPC Number	Cover Series	Core Hole Diameter
S1R6PTACEHNKL	783585443362	S1R6CVR	6-Inch

Minimum Deck Thickness	Connection Type
2.25" Over Metal Deck	Recessed

**Standards**

cULus & ULC Listed  
 UL scrub water compliant  
 ADA Compliant

**Specifications**

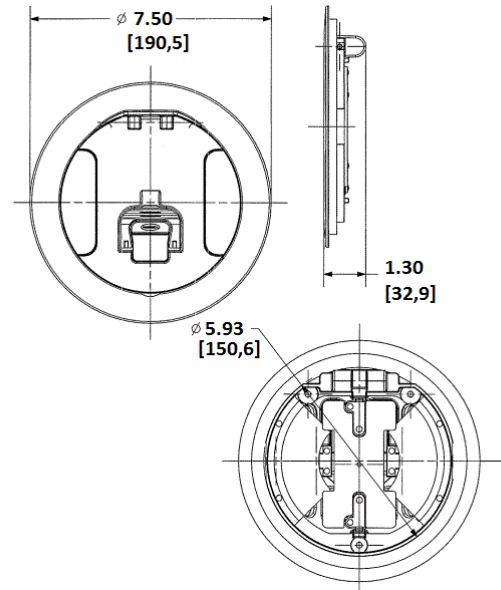
Cover load rating	1000 lbs. static load through 3" diameter mandral
Access cover material	Die cast aluminum
Fire Rating	1 - 2 Hour Fire Rating

**Accessories**

6" Pre-Pour Tube, removed need for core hold drilling **S1R6PPT**

**Online Resources**

Customer Use Drawing  
 eCatalog  
 Installation Instructions



Dimensions in Inches (mm)

Hubbell Wiring Device-Kellems • Hubbell Incorporated (Delaware) • 40 Waterview Drive • Shelton, CT 06484

Phone (800) 288-6000 • Fax (800) 255-1031 • Specifications subject to change without notice.

