

Fire-Rated Poke-Throughs
SystemOne Recessed
6-Inch Diameter Core Hole



Features

- One 3/4" EMT for Power, One 2" EMT for Low Voltage
- S1R6CVRALU, Brushed Aluminum Cover Included
- Sub-Plates Ordered Separately
- Junction Box Included

Ordering Information

- Fire-Rated Poke-Through Fitting and Cover
- Requires Sub-Plates for Complete Installation

Catalog Number S1R6PTALU	UPC Number 783585443423	Cover Series S1R6CVR	Core Hole Diameter 6-Inch
------------------------------------	-----------------------------------	--------------------------------	-------------------------------------

Minimum Deck Thickness 2.25" Over Metal Deck	Connection Type Recessed
--	------------------------------------

Standards

cULus & ULC Listed
 UL scrub water compliant
 ADA Compliant

Specifications

Cover load rating	1000 lbs. static load through 3" diameter mandral
Access cover material	Die cast aluminum
Fire Rating	1 - 2 Hour Fire Rating

Required

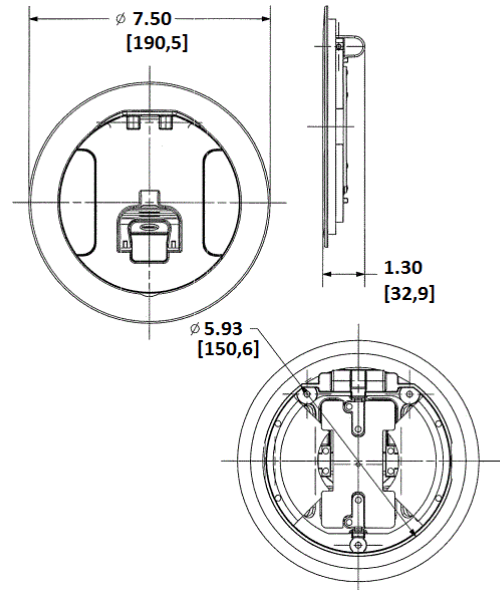
Covers and Sub-Plates [Click here](#)

Accessories

20A USB receptacle with 2 USB charging ports	USB20X2W
20A Self-Test GFCI Receptacle	GFRST20W
20A Decorator Receptacle	DR20WHI
6" Pre-Pour Tube, removed need for core hold drilling	S1R6PPT

Online Resources

Customer Use Drawing
 eCatalog
 Installation Instructions



Dimensions in Inches (mm)

Hubbell Wiring Device-Kellems • Hubbell Incorporated (Delaware) • 40 Waterview Drive • Shelton, CT 06484

Phone (800) 288-6000 • Fax (800) 255-1031 • Specifications subject to change without notice.

