

Fire-Rated Poke-Throughs
SystemOne Recessed
6-Inch Diameter Core Hole

HUBBELL

Features

- One 3/4" EMT for Power, One 2" EMT for Low Voltage
- S1R6CVRBRZ, Plated Antique Bronze Finish Cover Included
- S1R6SPD, S1R6SPE, S1R6SPH, Sub-Plates Included
- Junction Box Included

Ordering Information

- Fire-Rated Poke-Through Fitting, Sub-Plates and Cover
- Cover and Sub-Plates Installed Onsite

Catalog Number	UPC Number	Cover Series	Core Hole Diameter
S1R6PTDEHBRZ	783585443232	S1R6CVR	6-Inch

Minimum Deck Thickness	Connection Type
2.25" Over Metal Deck	Recessed

Standards

cULus & ULC Listed
 UL scrub water compliant
 ADA Compliant

Specifications

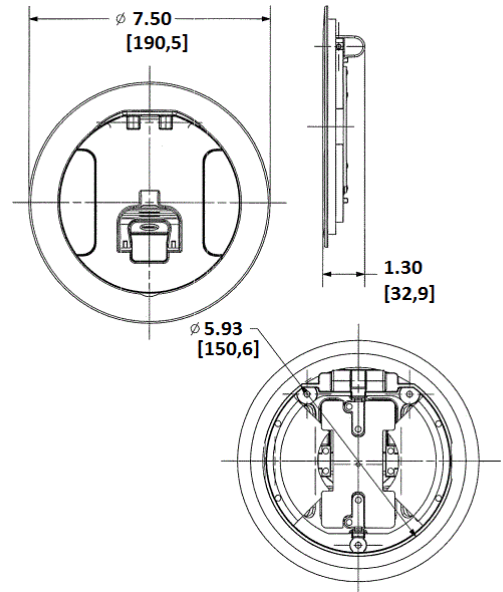
Cover load rating	1000 lbs. static load through 3" diameter mandral
Access cover material	Die cast aluminum
Fire Rating	1 - 2 Hour Fire Rating

Accessories

6" Pre-Pour Tube, removed need for core hold drilling **S1R6PPT**

Online Resources

Customer Use Drawing
 eCatalog
 Installation Instructions



Dimensions in Inches (mm)

Hubbell Wiring Device-Kellems • Hubbell Incorporated (Delaware) • 40 Waterview Drive • Shelton, CT 06484

Phone (800) 288-6000 • Fax (800) 255-1031 • Specifications subject to change without notice.

