

Fire-Rated Poke-Throughs

SystemOne Recessed

6-Inch Diameter Core Hole

HUBBELL

Features

- One 3/4" EMT for Power, One 2" EMT for Low Voltage
- Cover Orderd Separately

Ordering Information

- Fire-Rated Poke-Through Fitting Only.
- Requires Cover and Sub-Plate for complete installation

Catalog Number	UPC Number	Cover Series	Core Hole Diameter
S1R6PTFITCHI	783585443195	S1R6CVR	6-Inch

Minimum Deck Thickness	Connection Type
2.25" Over Metal Deck	Recessed

Standards

cULus & ULC Listed
UL scrub water compliant
ADA Compliant

Specifications

Cover load rating	1000 lbs. static load through 3" diameter mandral
Access cover material (ordered separately)	Die cast aluminum
Fire Rating	1 - 2 Hour Fire Rating

Required

Covers and Sub-Plates

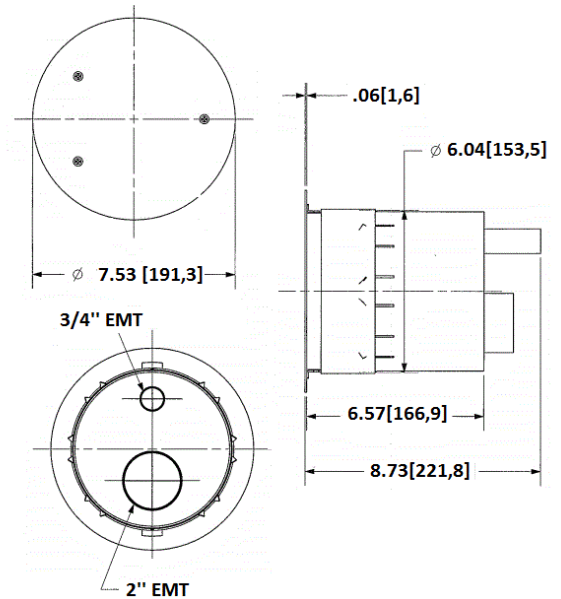
[Click here](#)

Accessories

6" Pre-Pour Tube, removed need for core hold drilling **S1R6PPT**

Online Resources

Customer Use Drawing
eCatalog
Installation Instructions



Dimensions in Inches (mm)

Hubbell Wiring Device-Kellems • Hubbell Incorporated (Delaware) • 40 Waterview Drive • Shelton, CT 06484

Phone (800) 288-6000 • Fax (800) 255-1031 • Specifications subject to change without notice.

