

Fire-Rated Poke-Throughs
Hubbell SystemOne Recessed Systems
6 Inch Sub-Plates



Features

- Includes (1) snap-on label holder, (8) white label inserts and (8) clear label covers
- 2 Jack openings and 4 Jack KOs
- 0.760" high x 0.600" wide Jack openings

Ordering Information

Description	Device Type	UPC Number	Catalog Number
2 Jack openings and 4 Jack KOs, 50% left Side	Sub-Plate	783585695563	S1R6SP6DJ

Listings

UL 514A Listed

Specifications

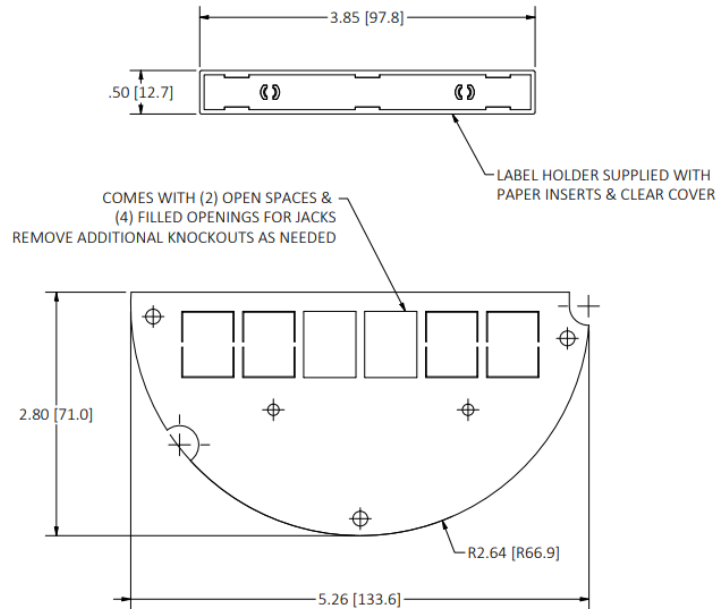
Plate	Steel
Label Holder	Thermoplastic
Insert	Paper
Insert Cover	Clear Polyester
Fasteners	Steel

Performance

Jack Openings

(2) Open, (4) KOs
 0.760" high x 0.600" wide

Jack Openings



Online Resources

Customer Sales Drawings
 eCatalog

Dimensions in Inches (mm)

Hubbell Wiring Device-Kellems • Hubbell Incorporated (Delaware) • 40 Waterview Drive • Shelton, CT 06484

Phone (800) 288-6000 • Fax (800) 255-1031 • Specifications subject to change without notice.

