

Fire-Rated Poke-Throughs  
SystemOne Recessed  
Sub-Plate

# HUBBELL

## Features

- White Powder Coated

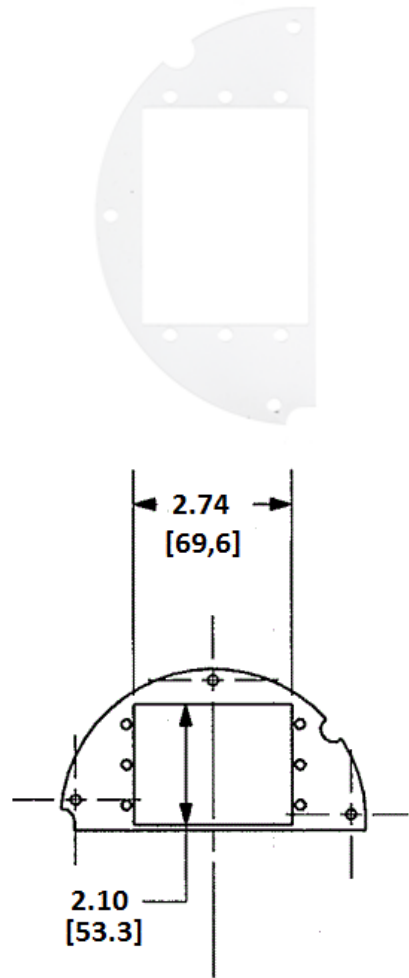
## Ordering Information

- Includes necessary mounting hardware

Catalog Number	UPC	Description
S1R6SPA	783585443041	Sub-plate for 6 inch FRPT 50%, left side, with 3x Extron AAP openings

## Standards

cULus Listed



## Online Resources

Customer Use Drawing  
eCatalog  
Installation Instructions

Dimensions in Inches (mm)

Hubbell Wiring Device-Kellems • Hubbell Incorporated (Delaware) • 40 Waterview Drive • Shelton, CT 06484

Phone (800) 288-6000 • Fax (800) 255-1031 • Specifications subject to change without notice.

