

**Fire-Rated Poke-Throughs**  
**SystemOne Recessed**  
**Sub-Plate**



**Features**

- Steel Construction
- White Powder Coat Paint
- Includes Necessary Mounting Hardware

**Ordering Information**

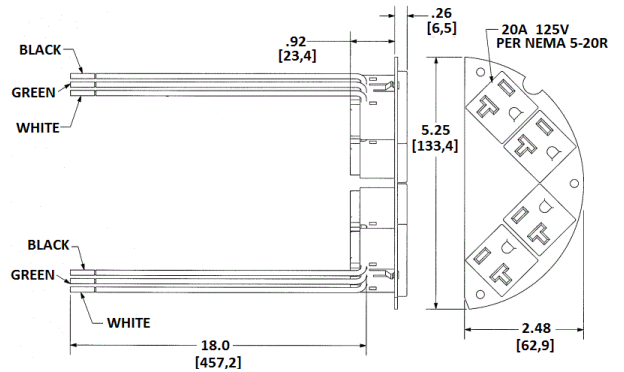
Description	UPC Number	Catalog Number
Sub-plate for 6 inch FRPT 50% , right side, with 4 pre-wired 20A receptacle cubes	783585443027	S1R6SPH

**Listings**

cULus Listed

**Specifications**

Material	Pre-Galvanized Steel
Finish	White Paint
Receptacle Housing	Black Thermoplastic
Contacts	Brass
Wire Leads	Insulated #12 Copper Wire
Plate Position	Right 50%
NEMA Configuration	5-20R
Wiring Method	1 Circuit



**Related Products**

Poke Through	S1R8PTFIT1
Poke Through	S1R8PTFIT2
Poke Through	S1R8PTFIT3
Poke Through	S1R8PTFIT1CHI
Poke Through	S1R8PTFIT2CHI

**Online Resources**

- Customer Sales Drawings
- eCatalog
- Installation Instructions

Dimensions in Inches (mm)

Hubbell Wiring Device-Kellems • Hubbell Incorporated (Delaware) • 40 Waterview Drive • Shelton, CT 06484

Phone (800) 288-6000 • Fax (800) 255-1031 • Specifications subject to change without notice.

