

Fire-Rated Poke-Throughs
Furniture Feed
8-Inch Diameter Core Hole

HUBBELL

Features

- One 2-inch and one 1-inch NPT threaded hubs, ships with 1-inch to 3/4"-inch threaded reducer
- Die cast aluminum cover construction for enhanced durability
- UL Scrub Water Compliant
- ADA Compliant

Ordering Information

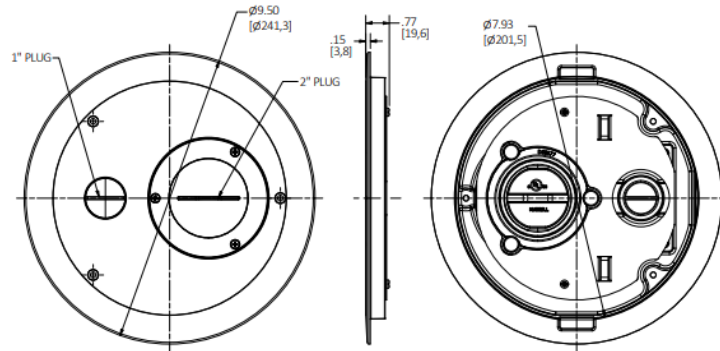
Style	Finish	UPC Number	Catalog Number
Surface Cover	Aluminum	783585590608	S1R8FFCVRALU

Listings

cULus Listed
UL scrub water compliant
UL 514A Listed

Specifications

Cover Material	Die Cast Aluminum
Flange height	0.13 in.
Load Rating	1000 lbs. static load through 3" diameter mandrel (w/ 2x safety factor)
Cover finish	Brushed aluminum



Related Products

Compatible with S1R8PTFIT
Divider Kit Purchased Separately to
Maintain Separation between Line and
Low Voltage Wiring

Online Resources

Customer Sales Drawings
eCatalog
Installation Instructions

Dimensions in Inches (mm)

Hubbell Wiring Device-Kellems • Hubbell Incorporated (Delaware) • 40 Waterview Drive • Shelton, CT 06484

Phone (800) 288-6000 • Fax (800) 255-1031 • Specifications subject to change without notice.

