

**Fire-Rated Poke-Throughs**  
**Furniture Feed**  
**8-Inch Diameter Core Hole**

# HUBBELL

### Features

- One 2-inch and one 1-inch NPT threaded hubs, ships with 1-inch to 3/4"-inch threaded reducer
- Die cast aluminum cover construction for enhanced durability
- UL Scrub Water Compliant
- ADA Compliant

### Ordering Information

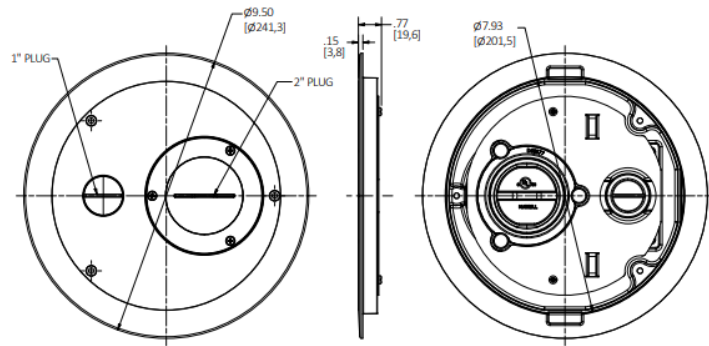
Style	Finish	UPC Number	Catalog Number
Surface Cover	Antique Bronze	783585590639	S1R8FFCVRBRZ

### Listings

cULus Listed  
UL scrub water compliant  
UL 514A Listed

### Specifications

Cover Material	Die Cast Aluminum
Flange height	0.13 in.
Load Rating	1000 lbs. static load through 3" diameter mandrel (w/ 2x safety factor)
Cover finish	Antique bronze plated



### Related Products

Compatible with S1R8PTFIT  
Divider Kit Purchased Separately to  
Maintain Separation between Line and  
Low Voltage Wiring

### Online Resources

Customer Sales Drawings  
eCatalog  
Installation Instructions

Dimensions in Inches (mm)

Hubbell Wiring Device-Kellems • Hubbell Incorporated (Delaware) • 40 Waterview Drive • Shelton, CT 06484

Phone (800) 288-6000 • Fax (800) 255-1031 • Specifications subject to change without notice.

