

Fire-Rated Poke-Throughs
SystemOne Recessed
Sub-Plate



Features

- Steel Construction
- White Powder Coat Paint
- Includes Necessary Mounting Hardware

Ordering Information

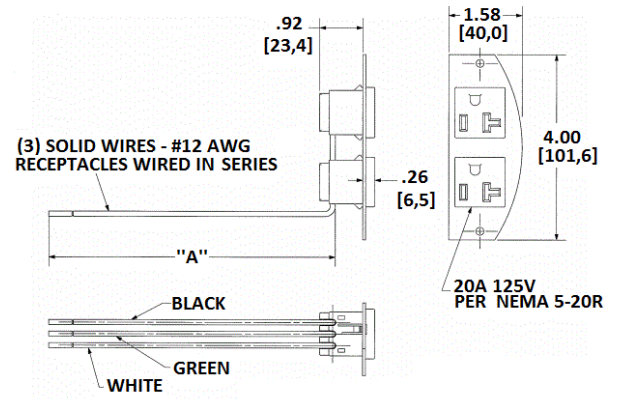
Description	UPC Number	Catalog Number
Sub-plate for 8 inch FRPT, perimeter, with 2 pre-wired 20A receptacle cubes, 18-inch leads	783585443737	S1R8PSPZ

Listings

cULus Listed

Specifications

Material	Pre-Galvanized Steel
Finish	White Paint
Receptacle Housing	Black Thermoplastic
Contacts	Brass
Wire Leads	Insulated #12 Copper Wire
Plate Position	Perimeter
NEMA Configuration	5-20R
Wiring Method	2 Circuit



Related Products

Poke Through	S1R8PTFIT1
Poke Through	S1R8PTFIT2
Poke Through	S1R8PTFIT3
Poke Through	S1R8PTFIT1CHI
Poke Through	S1R8PTFIT2CHI

Online Resources

- Customer Sales Drawings
- eCatalog
- Installation Instructions

Dimensions in Inches (mm)

Hubbell Wiring Device-Kellems • Hubbell Incorporated (Delaware) • 40 Waterview Drive • Shelton, CT 06484

Phone (800) 288-6000 • Fax (800) 255-1031 • Specifications subject to change without notice.

