

**Fire-Rated Poke-Throughs**  
**SystemOne Recessed**  
**8-Inch Diameter Core Hole**



**Features**

- Two 3/4" for Perimeter Power, One 1" EMT and One 1-1/2" EMT for Center Chamber
- S1R8CVRALU, Brushed Aluminum Cover Included
- S1FRPTJB Junction Box Included
- Flexible Metallic Conduit and Connectors Included
- Fire-Rated Poke-Through Fitting, S1R8JNC1 and Cover, Cover and S1R8JNC1 Installed Onsite



**Ordering Information**

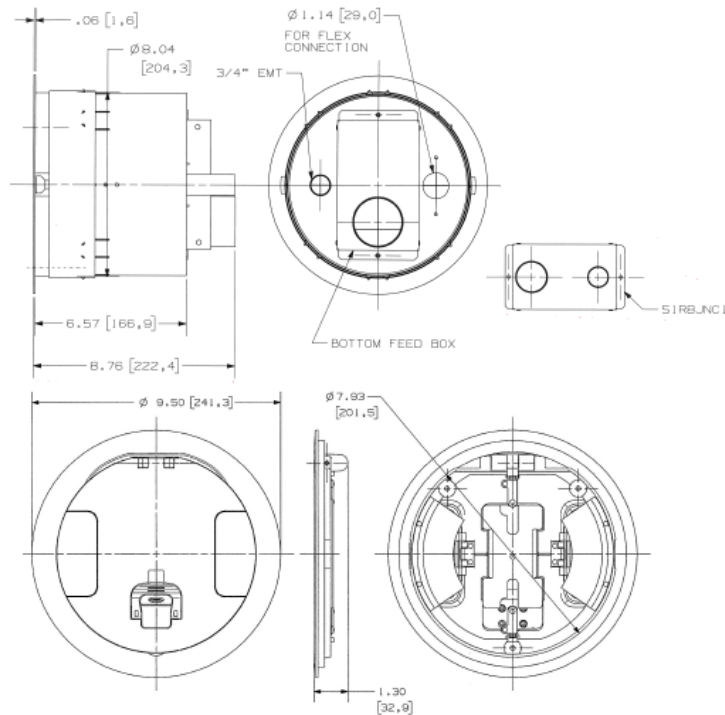
Cover Series	Core Hole Diameter	UPC	Catalog Number
S1R8CVR	8-Inch	783585444109	S1R8PT1ALU

**Listings**

cULus & ULC Listed  
 UL scrub water compliant  
 ADA Compliant

**Specifications**

Cover load rating	1000 lbs. static load through 3" diameter mandrel
Access cover material	Die cast aluminum
Fire Rating	1 - 2 Hour Fire Rating
Cover finish	Black powder paint



**Related Products**

20A pre-wired perimeter subplate	S1R8PSPZ
Style Line® decorator subplate	S1R8CSPK
(4) Hubell Jack KOs with Label Field	S1R8CSP4DJ

8" Pre-Pour Tube, removed need for core hole drilling S1R8PPT

**Online Resources**

Customer Sales Drawings  
 eCatalog  
 Installation Instructions

Dimensions in Inches (mm)

Hubbell Wiring Device-Kellems • Hubbell Incorporated (Delaware) • 40 Waterview Drive • Shelton, CT 06484

Phone (800) 288-6000 • Fax (800) 255-1031 • Specifications subject to change without notice.

