

Fire-Rated Poke-Throughs
SystemOne Recessed
8-Inch Diameter Core Hole



Features

- One 3/4" EMT for Perimeter Power, One 2" EMT for Center Chamber
- S1R8CVRBRZ, Plated Antique Bronze Finish Cover Included
- Junction Box Included

Ordering Information

- Fire-Rated Poke-Through Fitting, S1R8JNC3 and Cover
- Cover and S1R8JNC3 Installed Onsite

Catalog Number S1R8PT3BRZ	UPC Number 783585444215	Cover Series S1R8CVR	Core Hole Diameter 8-Inch
-------------------------------------	-----------------------------------	--------------------------------	-------------------------------------

Minimum Deck Thickness 2.25" Over Metal Deck	Connection Type Recessed
--	------------------------------------

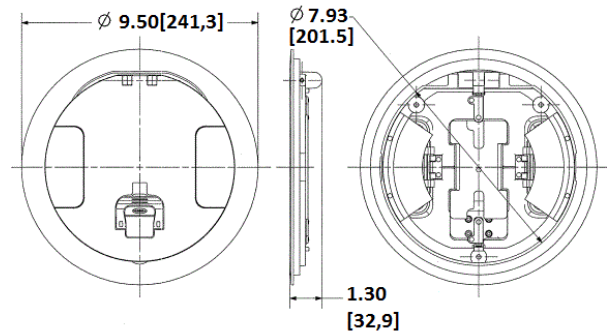


Standards

cULus & ULC Listed
 UL scrub water compliant
 ADA Compliant

Specifications

Cover load rating	1000 lbs. static load through 3" diameter mandral
Access cover material	Die cast aluminum
Fire Rating	1 - 2 Hour Fire Rating



Required

Covers and Sub-Plates [Click here](#)

Accessories

20A USB receptacle with 2 USB charging ports	USB20X2W
20A Self-Test GFCI Receptacle	GFRST20W
20A Decorator Receptacle	DR20WHI
8" Pre-Pour Tube, removed need for core hold drilling	S1R8PPT

Online Resources

Customer Use Drawing
 eCatalog
 Installation Instructions

Dimensions in Inches (mm)

Hubbell Wiring Device-Kellems • Hubbell Incorporated (Delaware) • 40 Waterview Drive • Shelton, CT 06484
 Phone (800) 288-6000 • Fax (800) 255-1031 • Specifications subject to change without notice.

