

**Fire-Rated Poke-Throughs**  
**SystemOne Recessed**  
**8-Inch Diameter Core Hole**



**Features**

- One 3/4" EMT for Perimeter Power, Two 1" EMT for Center Chamber
- Cover Orderd Seperately
- Junction Box Included

**Ordering Information**

- Fire-Rated Poke Through Fitting Only.
- Requires Cover and Sub-Plate for complete installation

<b>Catalog Number</b> S1R8PTFIT2	<b>UPC Number</b> 783585443881	<b>Cover Series</b> S1R8CVR	<b>Core Hole Diameter</b> 8-Inch
-------------------------------------	-----------------------------------	--------------------------------	-------------------------------------

<b>Minimum Deck Thickness</b> 2.25" Over Metal Deck	<b>Connection Type</b> Recessed
--	------------------------------------

**Standards**

cULus & ULC Listed  
 UL scrub water compliant  
 ADA Compliant

**Specifications**

Cover load rating	1000 lbs. static load through 3" diameter mandral
Access cover material (ordered separately)	Die cast aluminum
Fire Rating	1 - 2 Hour Fire Rating

**Required**

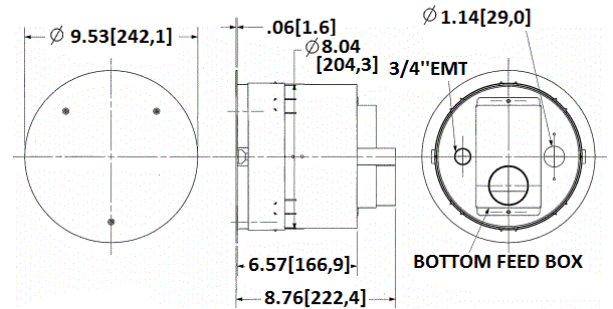
Covers and Sub-Plates [Click here](#)

**Accessories**

20A USB receptacle with 2 USB charging ports	<b>USB20X2W</b>
20A Self-Test GFCI Receptacle	<b>GFRST20W</b>
20A Decorator Receptacle	<b>DR20WHI</b>
8" Pre-Pour Tube, removed need for core hold drilling	<b>S1R8PPT</b>

**Online Resources**

Customer Use Drawing  
 eCatalog  
 Installation Instructions



Dimensions in Inches (mm)

Hubbell Wiring Device-Kellems • Hubbell Incorporated (Delaware) • 40 Waterview Drive • Shelton, CT 06484

Phone (800) 288-6000 • Fax (800) 255-1031 • Specifications subject to change without notice.

