

# Fire-Rated Poke-Throughs

## SystemOne Recessed

### 8-Inch Diameter Core Hole

# HUBBELL

#### Features

- One 3/4" EMT for Perimeter Power, Two 1" EMT for Center Chamber
- S1R8CVRGRY, Gray Cover Included
- Two S1R8PSPZ Pre-Wired Sub-Plates Included (not installed in Fitting)
- Junction Box Included

#### Ordering Information

- Fire-Rated Poke-Through Fitting, (2) S1R8PSPZ and Cover
- Cover and Sub-Plates Installed Onsite

Catalog Number	UPC Number	Cover Series	Core Hole Diameter
S1R8PTZZ2GRY	783585590110	S1R8CVR	8-Inch

Minimum Deck Thickness	Connection Type
2.25" Over Metal Deck	Recessed

#### Standards

cULus & ULC Listed  
UL scrub water compliant  
ADA Compliant

#### Specifications

Cover load rating	1000 lbs. static load through 3" diameter mandral
Access cover material	Die cast aluminum
Fire Rating	1 - 2 Hour Fire Rating

#### Required

Covers and Sub-Plates

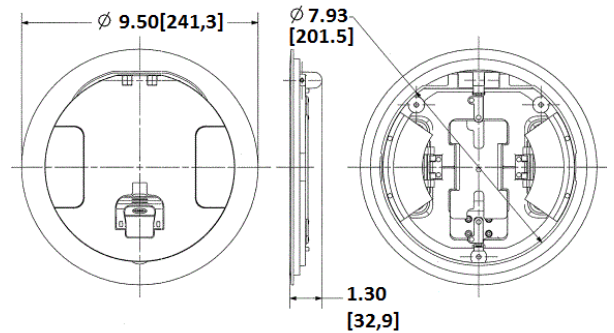
[Click here](#)

#### Accessories

8" Pre-Pour Tube, removed need for core hold drilling **S1R8PPT**

#### Online Resources

Customer Use Drawing  
eCatalog  
Installation Instructions



Dimensions in Inches (mm)

Hubbell Wiring Device-Kellems • Hubbell Incorporated (Delaware) • 40 Waterview Drive • Shelton, CT 06484

Phone (800) 288-6000 • Fax (800) 255-1031 • Specifications subject to change without notice.

