

**Fire-Rated Poke-Throughs**  
**SystemOne Recessed**  
**8-Inch Diameter Core Hole**



**Features**

- One 3/4" EMT for Perimeter Power, One 2" EMT for Center Chamber
- S1R8CVRNKL, Satin Nickel Plated Cover Included
- Two S1R8PSPZ Pre-Wired Sub-Plates Included (not installed in Fitting)
- Junction Box Included

**Ordering Information**

- Fire-Rated Poke-Through Fitting, (2) S1R8PSPZ and Cover
- Cover and Sub-Plates Installed Onsite

Catalog Number	UPC Number	Cover Series	Core Hole Diameter
S1R8PTZZ3NKL	783585444048	S1R8CVR	8-Inch

Minimum Deck Thickness	Connection Type
2.25" Over Metal Deck	Recessed

**Standards**

cULus & ULC Listed  
 UL scrub water compliant  
 ADA Compliant

**Specifications**

Cover load rating	1000 lbs. static load through 3" diameter mandral
Access cover material	Die cast aluminum
Fire Rating	1 - 2 Hour Fire Rating

**Required**

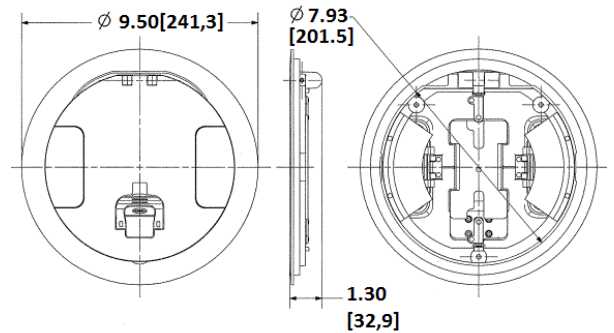
Covers and Sub-Plates [Click here](#)

**Accessories**

8" Pre-Pour Tube, removed need for core hold drilling **S1R8PPT**

**Online Resources**

Customer Use Drawing  
 eCatalog  
 Installation Instructions



Dimensions in Inches (mm)

Hubbell Wiring Device-Kellems • Hubbell Incorporated (Delaware) • 40 Waterview Drive • Shelton, CT 06484

Phone (800) 288-6000 • Fax (800) 255-1031 • Specifications subject to change without notice.

