

Features

- Cast Aluminum Construction
- Brushed Aluminum Finish
- For use with Furniture Feed Series Covers

Ordering Information

UPC Number 783585443607 Catalog Number S1RPLUG2ALU

Listings

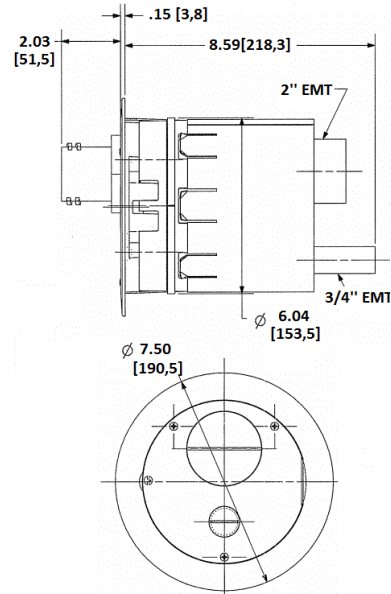
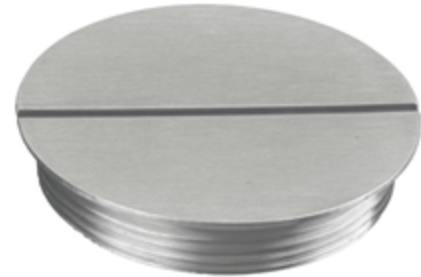
cULus Listed
 UL Scrubwater Compliant
 UL 514A Listed

Specifications

Material Cast Aluminum
 Finish Brushed Aluminum

Performance

Mechanical
 Height 0.50" [12.7mm]
 Thread Type 2" NPT
 Width 2.56" [65.02mm] Dia.



Online Resources

- Customer Sales Drawings
- eCatalog
- Installation Instructions