

Floor Boxes

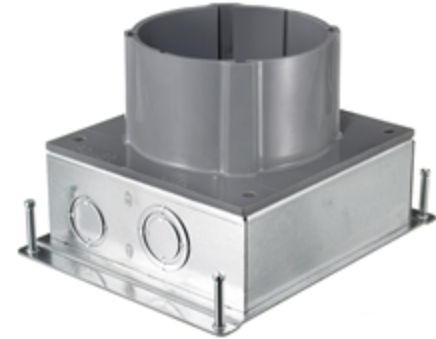
Hubbell SystemOne Metal and Non-Metallic

Concrete Floor Boxes

HUBBELL

Features

- Stamped steel construction
- Economical and light weight for above-grade applications
- Concentric knockouts permit various conduit sizes



Ordering Information

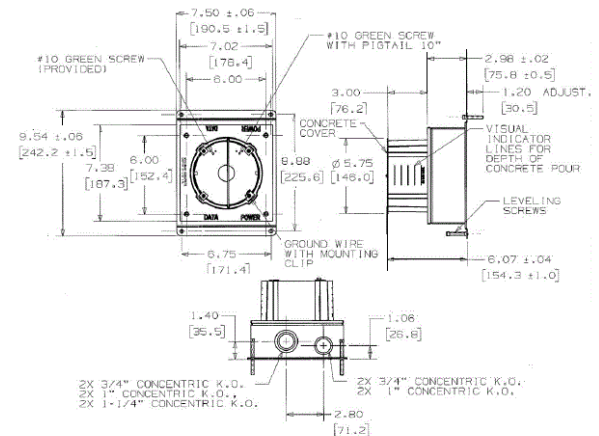
Description	Material	UPC	Catalog Number
Metallic, Floor Boxes	Steel	783585371658	S1SFB

Listings

UL File Number E92074
CSA File Number LR18416

Specifications

Min. Depth of Pour	3.50" (88.9)
Cubic Inch	175.7 cu. in. (2879.2 cm ³)
Power Entries	3/4", 1" Concentric KO



Online Resources

[Customer Use Drawing](#)
[eCatalog](#)
[Installation Instructions](#)

Dimensions in Inches (mm)

Hubbell Wiring Device-Kellems • Hubbell Incorporated (Delaware) • 40 Waterview Drive • Shelton, CT 06484

Phone (800) 288-6000 • Fax (800) 255-1031 • Specifications subject to change without notice.

