

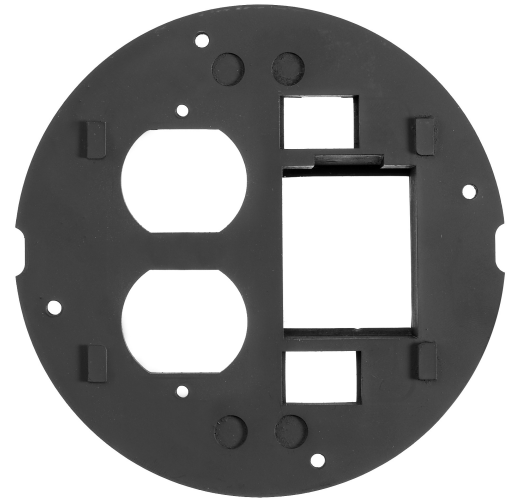
Floor Boxes

Hubbell SystemOne Sub-Plates

HUBBELL

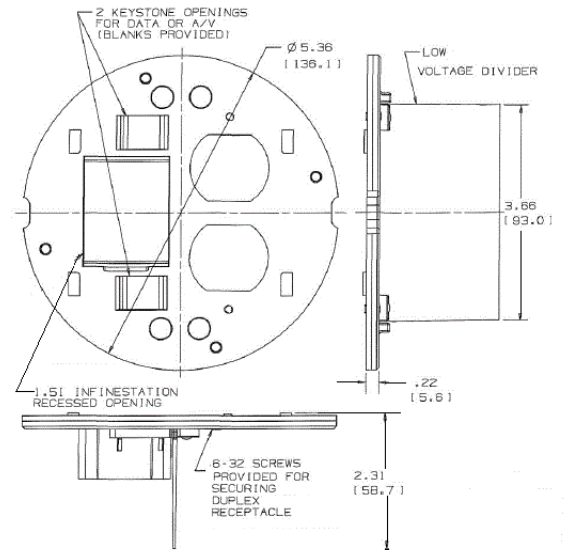
Features

- Durable cast aluminum construction, powder coat finish
- Large capacity and multi-service furniture feed applications
- Open system sub-plates permit maximum data flexibility



Ordering Information

Description	Device Color	UPC	Catalog Number
Duplex opening, flush	Black	783585371764	S1SPDU2IM



Online Resources

[Customer Use Drawing](#)

[eCatalog](#)

[Installation Instructions](#)

Dimensions in Inches (mm)

Hubbell Wiring Device-Kellems • Hubbell Incorporated (Delaware) • 40 Waterview Drive • Shelton, CT 06484

Phone (800) 288-6000 • Fax (800) 255-1031 • Specifications subject to change without notice.

