

SystemOne Flush

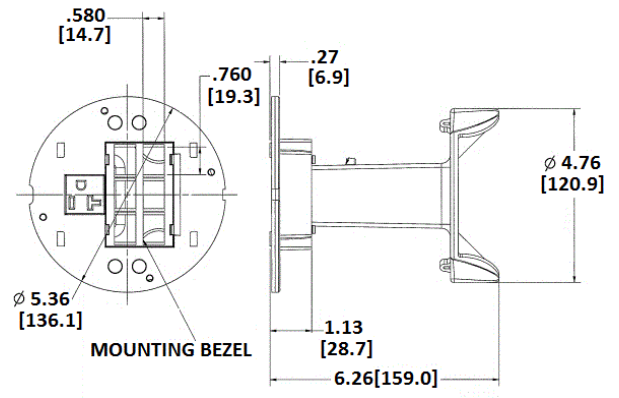
Sub-Plate

Features

- Used with automatic receptacle control systems
- Laser marked
- Black Powder Coated

Ordering Information

- Includes necessary mounting hardware



Catalog Number	UPC	Description
S1SPMAXC	783585545677	Sub-plate with openings for 6x Siemon Max jacks and 1x pre-wired 20A receptacle

Standards

cULus Listed

Online Resources

eCatalog