

Floor Boxes

Floor Box Accessories

Hubbell SystemOne Universal Covers

HUBBELL

Features

- Durable powder coat finish
- Cast aluminum construction
- Hinged doors open 180 degrees flush to the carpet flange or tile

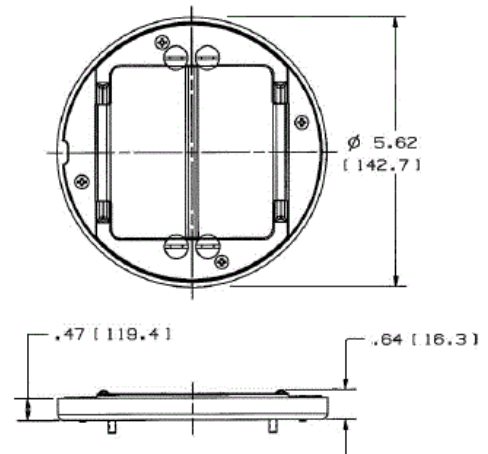
Ordering Information

Description	Device Color	UPC	Catalog Number
SystemOne Universal	Black	783585371115	S1TFCBL



Specifications

Product Type	SystemOne Universal Covers
Cover Format	Tile
Order Quantity	Carton of 1
For Use With	SystemOne Components
Unit Package	Single



Online Resources

[Customer Use Drawing](#)
[eCatalog](#)
[Installation Instructions](#)

Dimensions in Inches (mm)

Hubbell Wiring Device-Kellems • Hubbell Incorporated (Delaware) • 40 Waterview Drive • Shelton, CT 06484

Phone (800) 288-6000 • Fax (800) 255-1031 • Specifications subject to change without notice.

