

Sensing Devices Outdoor Lighting Control

Light Kit with Occupancy Sensor

HUBBELL

Features

- Warm White LED Flood Lights
- Die Cast Aluminum Construction
- Patented Multi-Directional Adjustable Swivel
- Timer, Sensitivity and Photocell Adjustments

Ordering Information

Description	Device Color	UPC Number	Catalog Number
Flood Light Kit with Sensor	White	783585565453	S2FLSW

Specifications

Heads and Cover	Die Cast Aluminum
Headlights Lens	Tempered Glass
Sensor Lens	Dual element pyrometer and hard lens
Sensor Coverage	180°, 0 to 65 ft. (0 to 20m)
Timer Settings	2 seconds to 90 minutes
Dimensions (Overall)	8.20" H x 12.67" W x 5.45" L
cCSAus	Listed for Wet Locations

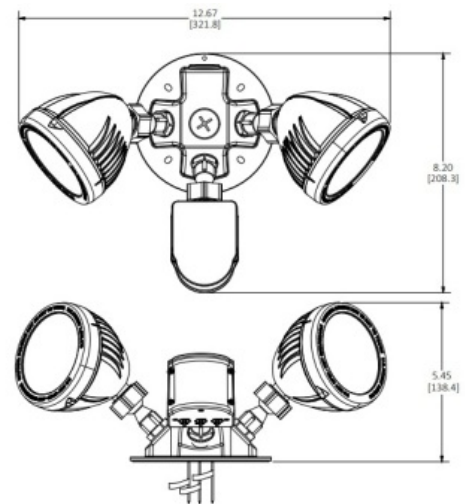
Performance

Electrical

Color Rendering Index (CRI)	82.6
Color Temperature	3000K
Light Output (per head)	997 Lumens
Operating Voltage	120V AC
Power Consumption (per head)	13.3W

Environmental

Operating Location	NEMA 3R, IP65, Outdoor Use
Operating Temperature	Maximum ambient temperature not to exceed 40°C (104°F)



Online Resources

[Customer Use Drawing](#)
[eCatalog](#)
[Installation Instructions](#)

Dimensions in Inches (mm)

Hubbell Wiring Device-Kellems • Hubbell Incorporated (Delaware) • 40 Waterview Drive • Shelton, CT 06484

Phone (800) 288-6000 • Fax (800) 255-1031 • Specifications subject to change without notice.

