

Ordering Information

Description	UPC	Catalog Number
1/2 NPT Liquidtight Adapter	783585887005	SAA12

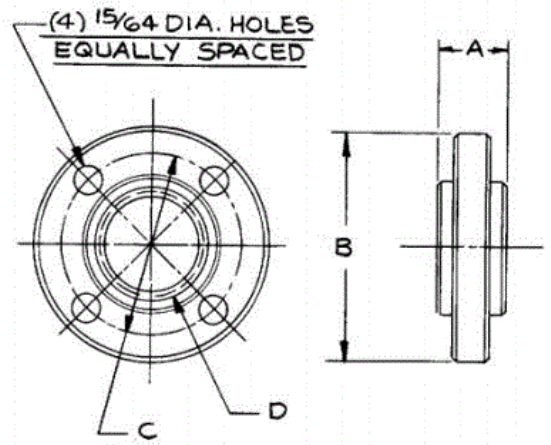
Used With IEC Pin & Sleeve:	Used With Insulgrip Pin & Sleeve:
16 & 20A 3 & 4 Wire	N/A

Standards

UL Listed
CSA Certified

Specifications

Accessory Item	Conduit Adapter
Hub	Machined Aluminum
Assembly Screws	Stainless Steel
Gaskets	Neoprene



Online Resources

Customer Use Drawing
eCatalog
Installation Instructions