

Ordering Information

Description 1 1/2 Liquidtight Adapter	UPC 783585140407	Catalog Number SAD150
---	----------------------------	---------------------------------

Used With IEC Pin & Sleeve 100 & 125A (all)	Used With Insulgrip Pin & Sleeve: 100A
---	--

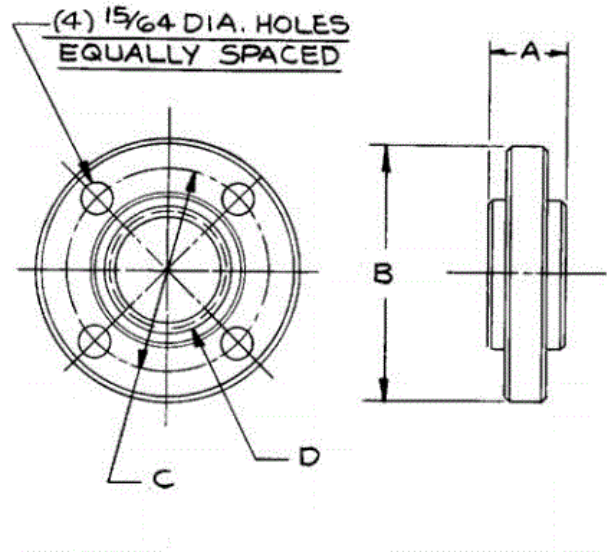


Standards

UL Listed
CSA Certified

Specifications

Accessory Item	Conduit Adapter
Hub	Machined Aluminum
Assembly Screws	Stainless Steel
Gaskets	Neoprene



Online Resources

Customer Use Drawing
eCatalog
Installation Instructions