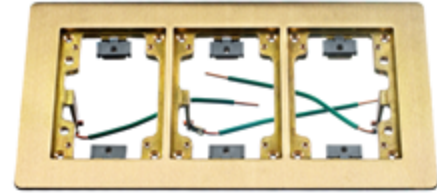


**Floor Boxes**  
**Accessories**  
**Rectangular Flanges**

# HUBBELL

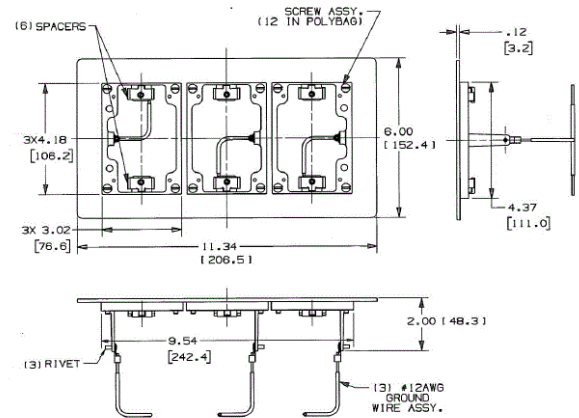


**Ordering Information**

| Description      | Material | UPC          | Catalog Number |
|------------------|----------|--------------|----------------|
| Rectangular Flat | Brass    | 783585829982 | SB3085W        |

**Specifications**

|              |                |
|--------------|----------------|
| No. of Gangs | 3-Gang         |
| Box Version  | Rectangular    |
| Dimensions   | 6.00" x 11.34" |



**Online Resources**

- Customer Use Drawing
- eCatalog
- Installation Instructions

Dimensions in Inches (mm)

Hubbell Wiring Device-Kellems • Hubbell Incorporated (Delaware) • 40 Waterview Drive • Shelton, CT 06484

Phone (800) 288-6000 • Fax (800) 255-1031 • Specifications subject to change without notice.

